

OWNER'S MANUAL —

Before installing and using the product, please read the instructions thoroughly and retain them for future reference.

2210103

GENERAL DESCRIPTION

This tester is designed for testing batteries, bulbs and fuses. It can be used to test dry cell 1.5V batteries (AAA, AA, C, D, etc.), 9V batteries, household and automotive fuses, as well as various bulbs. Powered by a 9V battery (not included).

DIAGRAM

- 1, 4** Metal contacts for testing 1.5V batteries (The metal contact 1 is connected with a spring for easy use).
- 2, 3** Metal contacts for testing fuses
- 7, 8, 9** Metal contacts for testing bulbs
- 10, 11** Metal contacts for testing 9V batteries
- 5** Scales
- 6** Pointer
- 12** Storage compartment cover
- 13** Storage for fuses and bulbs

OPERATION INSTRUCTIONS

Installing the battery

Slide out the battery cover located on the rear of the tester. Connect a new 9V battery to the cable. Place the battery into the battery compartment and reinstall the battery cover. (Tip: You can test the battery to determine whether it is high or low by using this tester).

Testing 1.5V Batteries (AAA, AA, C, D, etc.):

1. Refer to Figure 2, connect the 1.5V battery to be tested to the metal contacts 4 and 1 (see Figure 1), make sure that the positive terminal of the battery is connected to the contact 4 and the negative terminal of the battery is connected to the contact 1.
2. Use and read the "1.5V" scale. The green area indicates that the battery is good. The yellow area indicates that the battery is low. The red area indicates that the battery is very low and should not be used.

Testing 9V Batteries:

1. Refer to Figure 3, connect the 9V battery to be tested to the metal

Figure 1

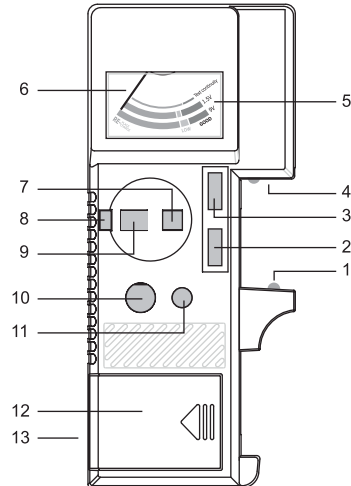


Figure 2

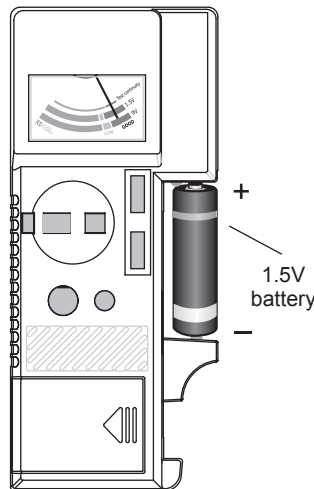
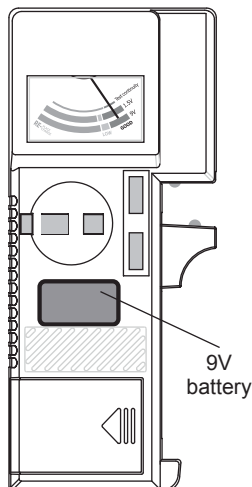


Figure 3



contacts 10 and 11, make sure that the positive terminal of the battery is connected to the contact 11 and the negative terminal of the battery is connected to the contact 10.

2. Use and read the "9V" scale. The green area indicates that the battery is good. The yellow area indicates that the battery is low. The red area indicates that the battery is very low and should not be used.

Testing fuses:

1. Refer to Figure 4, connect the two terminals of the fuse to be tested to the metal contacts 2 and 3.
2. Use and read the "Test continuity" scale. If the pointer is in the green area, the fuse is good. If the pointer is in the red area, the fuse is in open circuit state.

Testing Bulbs:

1. Connect the two terminals of the bulb to be tested to the contacts 8 and 9, or to the contacts 7 and 9, depending on the type of the bulb.
2. Use and read the "Test continuity" scale. If the pointer is in the green area, the bulb is good. If the pointer is in the red area, the bulb is in open circuit state.

Figure 4

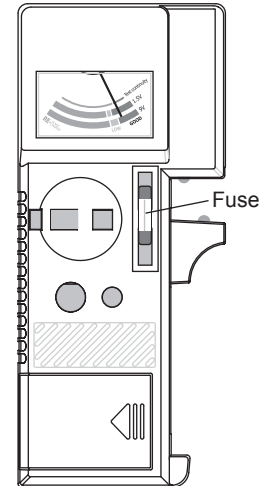
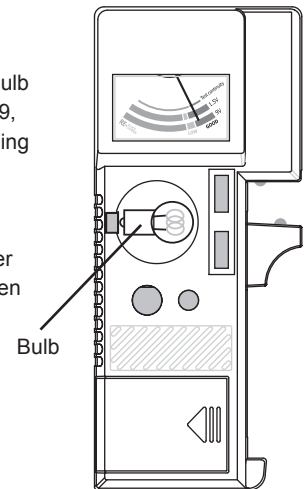


Figure 5



SPECIFICATION OF BATTERY TEST

Range	Red = Replace	Yellow = Low Power	Green = Good
1.5V	< 0.95V	0.95 ~ 1.10V	> 1.1V
9V	< 5.6V	5.6 ~ 6.6V	> 6.6V

WARNING

1. Batteries can be life-threatening if swallowed. Store batteries and tester out of the reach of children.
2. Remove the battery from the tester when the battery is discharged or if you will not use the tester for an extended period of time.
3. Do not expose batteries to heat or discard into fire.
4. Always select the correct battery for your device to ensure safe operation.

THE SOURCE - WARRANTY



The Source warrants that this product will be free from defects in materials and workmanship for a period of twelve (12) months from the date of purchase. Within this period, simply take the product and your proof of purchase to any The Source store or participating dealer and the product will be replaced (where available) without charge. Any product which has been subject to misuse or accidental damage is excluded from this warranty.

This warranty is only applicable to a product purchased through The Source company-owned stores or participating dealers in Canada where the warranty is included with the product. While this warranty does not confer any legal rights other than those set out above, you may have additional statutory rights which will vary under the laws of the various countries, states, provinces and other governmental entities in which The Source operates. This warranty is subject to all statutory rights you may have in Canada.

Imported by The Source
Barrie, Ontario, Canada, L4M 4W5
Manufactured in China
For product support please visit www.thesource.ca



© 2015 The Source
All rights reserved.

Please Recycle