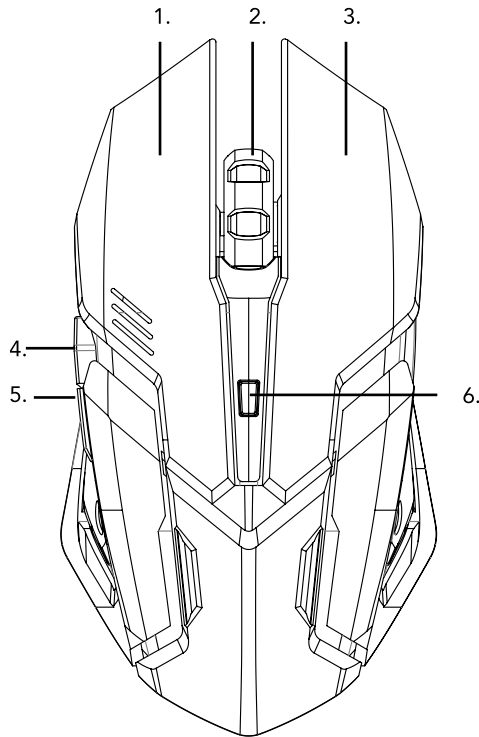


## GAMING MOUSE

### INCLUDED

- Wired gaming mouse
- Instruction manual

### FEATURES



### COMPONENT IDENTIFICATION

1. Left button
2. Scroll wheel
3. Right button
4. Forward button
5. Back button
6. DPI adjustment

### OPERATING INSTRUCTIONS

Plug your gaming mouse into a free USB port on your computer.

The driver software will automatically install and the LED will turn ON when the mouse is ready for use.

### WARNINGS

- **DO NOT** expose the mouse to extreme temperatures, humidity or direct sunlight
- **DO NOT** place the mouse near heat sources
- Keep away from water
- **DO NOT** put heavy objects on the mouse
- **DO NOT** drop or throw
- **DO NOT** disassemble or modify

### SPECIFICATIONS

DPI:	800/1200/1600/2400
Polling rate:	125Hz
LED:	7 colour modes
Connection:	USB
Input:	5V/100mA
Cord length:	1.5m
Sensor:	Optical
Supports:	Windows 7/8/10/11

## THE SOURCE - WARRANTY

The Source warrants that this product will be free from defects in materials and workmanship for a period of twelve (12) months from the date of purchase. Within this period, simply take the product and your proof of purchase to any The Source store or participating dealer and the product will be replaced (where available) without charge. Any product which has been subject to misuse or accidental damage is excluded from this warranty.

This warranty is only applicable to a product purchased through The Source company-owned stores or participating dealers in Canada where the warranty is included with the product. While this warranty does not confer any legal rights other than those set out above, you may have additional statutory rights which will vary under the laws of the various countries, states, provinces and other governmental entities in which The Source operates. This warranty is subject to all statutory rights you may have in Canada.

Imported by:  
The Source, Barrie, Ontario, Canada, L4M 4W5  
Manufactured in China  
www.thesource.ca  
© 2021 The Source. All rights reserved.