

**ACTIVE NOISE-CANCELLING WIRELESS OVER-EAR HEADPHONES**  
HRF 5022

**WHAT'S INCLUDED:**

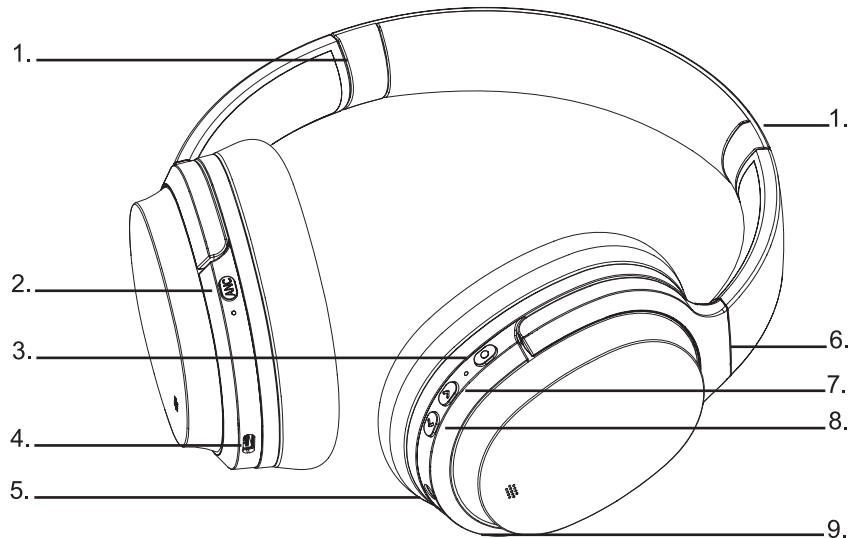
- HRF 5022 Headphones
- USB-C charging cable
- 3.5mm audio cable
- Instruction Manual



The Bluetooth® word mark and logos are registered trademarks owned by Bluetooth® SIG, Inc. and any use of such marks by The Source (Bell) Electronics Inc. is under license. Other trademarks and trade names are those of their respective owners.

**IDENTIFYING THE PARTS OF YOUR HEADPHONES**

1. Adjustable headband
2. ANC Noise cancelling button
3. MFB button ●
4. USB-C charging port
5. 3.5mm audio jack
6. Rotatable bracket
7. Volume Up V+/Next song >
8. Volume Down V-/Previous song <
9. Microphone



**INTRODUCTION**

Thank you for purchasing the HeadRush HRF 5022 headphones. In order to maximize your listening experience, please read the instructions below.

**CHARGING**

Please use the included USB-C cable to fully charge the headphones before first use. The red LED will stay ON when charging, and the blue LED will turn ON when fully charged. The LED will flash red every 5 seconds and the headphones will beep every 5 minutes when the power is low, charge the headphones. It takes approximately 2.5 hours to fully charge.

**BATTERY CAPACITY STATUS**

When the headphones are connected to a smartphone, the headphone battery status will appear in the upper right-hand corner of the device screen.



**PAIRING**

Pairing with one smartphone or other device:

- Press and hold the MFB button for 3 seconds to turn headphones ON and enter into pairing mode. The headphones will flash red and blue. Turn Bluetooth® ON in your device settings and select "HRF 5022" to connect.

NOTE: The headphones will automatically connect to your last connected device when switched ON, provided Bluetooth® is ON and your device is within range.

**PAIRING WITH TWO DEVICES**

The headphones can support a multi-connection. They can pair with two devices simultaneously and can take a call from either device.

- After pairing is complete with the first device, turn the Bluetooth® OFF on your first device. Then, repeat the pairing procedure with the second device
- From the list of found devices on the first device, select "HRF 5022" to connect

**OPERATION**

TO	DO THIS
Power ON/OFF	Press and hold the MFB for 3 seconds.
Adjust volume	Press the >/< buttons once.
Play/Pause	Press the MFB once to pause. Press again to play.
Next track	Press and hold the > button for 3 seconds.
Previous track	Press and hold the < button for 3 seconds.
Answer or end a call	Press the MFB once to answer the call, press again to end the call.
Reject a call	Press the MFB button twice.
Redial	Press the MFB button twice.

**NOTE:** These operations only function when connected via Bluetooth®.

**3.5MM LINE-IN**

Insert the supplied audio cable to the headphone jack.

**NOTE:** When listening to music via the 3.5mm line in the Bluetooth® connection will turn OFF. The headphone mic does not work when connected with a 3.5mm audio cable.

**ACTIVE NOISE-CANCELLATION (ANC) & AMBIENT FUNCTION**

Press the ANC button once (in Bluetooth® mode) or press and hold for 2 seconds (with Bluetooth® OFF) to turn ANC ON. the green LED will turn ON. Press the ANC button again to switch to ambient mode, the green LED will remain ON. Press the ANC button again to turn OFF, the green LED will turn OFF.

NOTE: ANC function will not work when a 3.5mm line-in cable is being used.

TO	DO THIS	LED	HEAR THIS
Turn ANC ON	Press the ANC button	Green LED ON	Headphones will beep twice, first low then high
Switch to Ambient mode	Press the ANC button again	Green LED ON	Headphones will beep twice quickly
Turn ANC OFF	Press the ANC button again	Green LED OFF	Headphones will beep twice, first high then low

## CLEAR PAIRED MEMORY

Turn ON your headphones. Press and hold the >/< buttons until the headphones beep. Then turn OFF your headphones.

## USING YOUR HEADPHONES

1. For the best sound and comfort, the right fit is very important.  
Please adjust your headband to make sure the headphones fit snugly and securely.
2. Place your headphones on corresponding ear side ("R" on right ear and "L" on left ear).
3. To ensure your headphones stay in place, make sure the cord is placed in front of your head and body.

## PROTECTING YOUR HEADPHONES

- Use a soft cloth to clean headphones—DO NOT use any liquid
- Keep your headphones clean and free of debris
- DO NOT tug on the cable to disconnect the plug from your device, instead pull from the plug to disconnect
- DO NOT wrap headphones around a device while it is still plugged in as it puts unnecessary pressure on the plug/cord connection

## WARNING

- DO NOT insert plug into electric sockets
- Listening to headphones at high volume levels, particularly over extended periods of time, may damage your hearing
- If you have a pacemaker or other electrical medical devices, you should consult your physician before using this product
- The operation of switching on your Hi-Fi system or plugging in the headphones may cause clicks which at high volume setting may affect your hearing. Therefore, always set the volume control to minimum before switching between different sources (tuner, turntable, CD player, etc.) or plugging in the headphones
- DO NOT use headphones while driving or cycling
- Supervise children when using equipment.  
This product is not a toy
- The small parts included with this product can be a choking hazard. This product is not intended for use by small children and should be kept away from children under 3 years of age

## SPECIFICATIONS

Bluetooth® version:	5.0
Bluetooth® profiles:	HSP/HFP/A2DP/AVRCP*
Talk time:	30 hours
Stand-by time:	3 months
Music play time:	60 hours (ANC OFF); 48 hours (ANC ON)
Wireless range:	10m (32ft.)
Driver diameter:	40mm
Impedance:	32Ω
Sound pressure level:	103dB±3dB
Frequency response:	20Hz-20kHz
Battery:	1000mAh Polymer lithium
Recharging input:	DC 5V, 630mA
Charging time:	Approx. 2.5 hours

\*HFP = Handsfree profile, HSP= Handset profile, A2DP=Advanced audio distribution profile, AVRCP=Audio/video remote control profile.

\*\*Approximate playback time, battery life depends on individual use and may be more or less than specified.

## INDUSTRY CANADA NOTICE RSS247

This device complies with Industry Canada license-exempt RSS standard(s).

Operation is subject to the following two conditions:

- (1) this device may not cause interference, and
- (2) this device must accept any interference, including interference that may cause undesired operation of the device.

This digital apparatus does not exceed the Class B limits for radio noise emissions from digital apparatus set out in the Radio Interference Regulations of Industry Canada.

IC: 255A-8093403



## THE SOURCE - WARRANTY

The Source warrants that this product will be free from defects in materials and workmanship for a period of 12 months from the date of purchase. Within this period, simply take the product and your proof of purchase to any The Source store or participating dealer and the product will be replaced (where available) without charge. Any product which has been subject to misuse or accidental damage is excluded from this warranty. This warranty is only applicable to a product purchased through The Source company-owned stores or participating dealers in Canada where the warranty is included with the product. While this warranty does not confer any legal rights other than those set out above, you may have additional statutory rights which will vary under the laws of the various countries, states, provinces and other governmental entities in which The Source operates. This warranty is subject to all statutory rights you may have in Canada.

Imported by:  
The Source, Barrie, Ontario, Canada, L4M 4W5  
Manufactured in China  
www.thesource.ca  
© 2021 The Source. All rights reserved.

