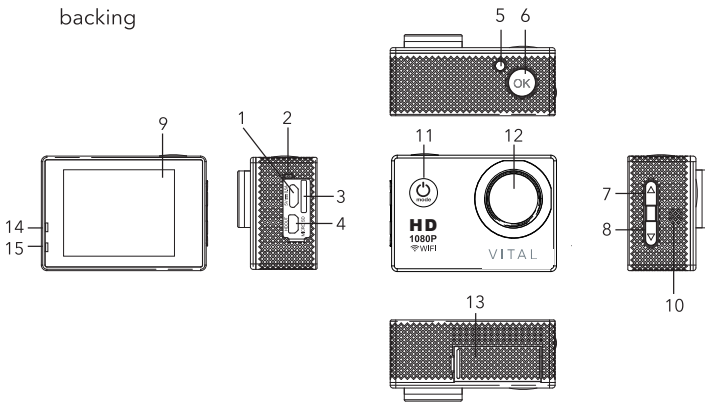


INCLUDED



- | | |
|---|---------------------------------|
| 1. HD action camera | 13. Waterproof housing |
| 2. Extension arm | 14. USB charging cable |
| 3. Quick release buckle | 15. Waterproof back door |
| 4. Belt clip | 16. Two 3m adhesive tape pieces |
| 5. Quick release J-hook buckle | 17. Cleaning cloth |
| 6. Screw mount | 18. Two hook and loop strips |
| 7. Bike mount | 19. Two adjustable belts |
| 8. Extension arm | 20. Four zip ties |
| 9. Extension arm | 21. Bracket mount |
| 10. 1/4" thread tripod adapter | 22. Coated metal pole |
| 11. Quick-release mount with adhesive backing | |
| 12. Quick-release mount with 1/4" thread with 3M adhesive backing | |



- | | |
|------------------------|--------------------------|
| 1. Micro USB slot | 9. LCD screen |
| 2. MIC | 10. Speaker |
| 3. MicroSD | 11. POWER/MODE/MENU |
| 4. HDMI-D port | 12. Lens |
| 5. Wi-Fi LED indicator | 13. Battery cover |
| 6. Shutter/OK | 14. Charge LED indicator |
| 7. ▲ | 15. LED indicator |
| 8. ▼ | |

CHARGING

Use the included USB charging cable to fully charge the camera before first use. A red LED light will turn on and flash while charging and the red light is on all the time when the camera is fully charged.

- Can be charged in your car with a USB adapter (not included) and can record video while charging

The following icons will be displayed to indicate battery life:



INSERTING MICROSD CARD

1. Insert the Class 10 microSD card into the slot as directed.
2. To remove the microSD card, gently press the SD card to eject.

NOTE:

- If the microSD card is incompatible, eject and reinsert it or replace it
- Maximum 64GB supported

CAMERA OPERATION

- Press the POWER button for 3-5 seconds to turn the camera ON. Press and hold for 3-5 seconds to turn it OFF

MODE SWITCHING

- Switch between video recording/still photos/burst photo/time lapse menu by pressing POWER button
- Icons will appear at top left corner of LCD screen

RECORDING VIDEO

- In "Video" mode, press the OK button to start recording. A flashing red dot will appear when you are recording. Press the OK button again to stop recording and the red dot will disappear

TAKING STILL IMAGES

- Switch to Photo mode by pressing the POWER button until the photo icon appears
- Press the OK button to take a photo

PLAYBACK

- Press the mode button to enter playback. Scroll through your photos/videos by using the up and down arrows on the side of camera
- Press OK to play/pause the video, press and hold up/down to fast forward and rewind
- To delete a single file press the OK button for 3-5 seconds. The delete screen will appear then press the up or down button to highlight confirmation. Then press OK and the file will be deleted

MENU

Use the up and down arrows to scroll through menu and press OK to select.

VIDEO RESOLUTION

- 1080P (60fps)/720P (30fps)

RECORDING SOUND

- OFF/ON

SPACE LAPSE

- OFF/0.5S/1S,2S/5S/10S/30S/60S

LOOP RECORDING

- OFF/2 MINUTES/3 MINUTES/5 MINUTES

SLOW MOTION

- 1080P(60FPS), 720P(120FPS)

PHOTO RESOLUTION

- 12M/8M/5M/2M

SELF TIMER

- OFF/3S/5S/10S/20S

TIME LAPSE PHOTO

- OFF/3S/10S/15S/20S/30S

BURST PHOTO

- OFF, 3P/S, 5P/S, 10P/S

EXPOSURE

- -3/-2/-1,0/1,2/3

WHITE BALANCE

- AUTO/SUNNY/CLOUDY/INCANDESCENT LIGHT/FLOURESCENT LIGHT

WI-FI

- OFF/ON

IMAGE ROTATION

- OFF/ON

DRIVING MODE

- OFF/ON

LIGHT SOURCE FREQUENCY

- AUTO/50Hz/60Hz

LED INDECAATOR LIGHT

- OFF/ON

AUTO SCREENSAVER

- 10S/20S/30S/OFF

AUTO SHUTDOWN

- 1 minutes/3 minutes/5 minutes/OFF

TIME WATERMARK

- YES/NO

VOLUME

- HIGH,MIDDLE,LOW,OFF

LANGUAGE

- See language section in menu

DATE & TIME

- Set the Year/Month/Day/Hour/Min/Sec

FORMAT

- NO/YES

RESET

- NO/YES

FILE STORAGE

- Use USB cable to export the videos and photographs onto your computer to view and save
- You can remove the microSD card to access files with a card reader

AUTO RECORD

When auto record is turned ON the camera will automatically start recording when it is powered ON.

WI-FI MODE

- Install the XDV app on your smartphone
- Ensure Wi-Fi is turned ON and within range
- Press the UP button to enter Wi-Fi mode
- Select "Sport-cameras". Use password "1234567890"; if needed
- The LCD screen of the camera will turn black if pairing is successful
- Open the XDV app on your smartphone
- Use your smartphone to view the camera's view finder as well as access all of its controls through the app
- Download photos and videos from the internal memory on the camera directly to your smartphone

OTHER FUNCTIONS

SHORTCUT 1 - ▼ BUTTON

While recording video, press ▼ to adjust the focus.

POWER-SAVER

During long recording sessions, the camera will automatically enter into power save mode and continue recording.

DATA BACKUP

Remove the data card and use a card reader (sold separately) to extract the files.

CONNECT TO TV

Use the HDMI port to connect the device to an HDMI-compatible TV for playback (HDMI cable not included).

HOW TO USE THE ACCESSORIES

- Accessories can be used in many combinations
- Waterproof back door (15) allows more sound to be captured
- The extension arms (2,8,9) are used to get the desired angle and position

- Use the tripod adapter (10) and bracket mount (21) on your existing tripod or selfie stick (not included)
- Camera is compatible with other action camera accessories
- See below for more examples



TECHNICAL SPECIFICATIONS

LCD:	2.0", 240 x 320 RGB LCD
Lens:	150°A+ class high-resolution super wide angle
Languages:	English/French
Video size:	1080P/60fps; 720P/30fps
Video format:	H.264 MP4
Photo resolution:	12MP/8MP/5MP/2MP
Photo format:	JPEG
Memory card:	microSD
Mic/Speaker:	Internal
Frequency:	50Hz/60Hz/Auto
USB:	2.0
Power supply:	5V/0.5A
Battery:	3.7V/900mAh Lithium battery

INDUSTRY CANADA NOTICE RSS247

This device complies with Industry Canada license-exempt RSS standard(s).

Operation is subject to the following two conditions:

(1) this device may not cause interference, and

(2) this device must accept any interference, including interference that may cause undesired operation of the device.

This digital apparatus does not exceed the Class B limits for radio noise emissions from digital apparatus set out in the Radio Interference Regulations of Industry Canada.



THE SOURCE - WARRANTY

The Source warrants that this product will be free from defects in materials and workmanship for a period of (6) six months from the date of purchase. Within this period, simply take the product and your proof of purchase to any The Source store or participating dealer and the product will be replaced (where available) without charge. Any product which has been subject to misuse or accidental damage is excluded from this warranty.

This warranty is only applicable to a product purchased through The Source company-owned stores or participating dealers in Canada where the warranty is included with the product. While this warranty does not confer any legal rights other than those set out above, you may have additional statutory rights which will vary under the laws of the various countries, states, provinces and other governmental entities in which The Source operates. This warranty is subject to all statutory rights you may have in Canada.

Imported by:
The Source, Barrie, Ontario, Canada, L4M 4W5
Manufactured in China
www.thesource.ca
© 2021 The Source All rights reserved.

