

DESK LAMP WITH WIRELESS CHARGING

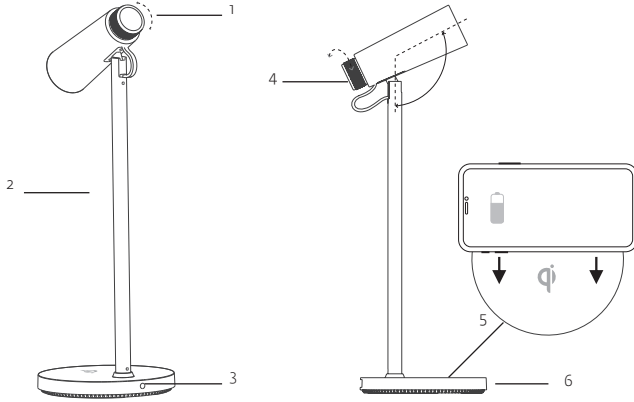
8089425

Instruction Manual

INCLUDED

- Desk lamp with wireless charger
- Power adapter
- Instruction manual

COMPONENT IDENTIFICATION



1. Light switch
2. Lamp neck
3. DC adapter port
4. Power button
5. Wireless charging area
6. Wireless charging LED indicator

FEATURES

- LED light with three light modes and dimmable brightness
- 5W wireless charger for powering up Qi-enabled devices

OPERATING INSTRUCTIONS

POWER

1. Plug in the included power adapter.
2. Press the power button to turn the light ON. Adjust the brightness by rotating the dial. There are five levels of brightness.
3. Press the power button again to adjust the colour temperature: cool white, warm white and natural light.

WIRELESS CHARGING

1. Place your Qi-enabled smartphone in the centre of the pad.
2. The LED indicator will be red when your phone is charging. It will turn green when your phone is fully charged.

NOTE: Not all phones will send a fully-charged signal to the wireless charger so the light will not turn ON

SPECIFICATIONS

Adapter Output:	12V/1A
Wireless Output:	5V/1A
Color Temperature	
Cool light:	5500±500K
Warm light:	3000±280K
Cool and warm light:	4200±400K
CRI:	>80RA

WARNING

- **DO NOT** alter or disassemble this product
- **DO NOT** use this lamp in a high-humidity or high-temperature environment
- **DO NOT** look directly at the lamp's light to avoid eye damage
- If any of the following conditions occur, immediately unplug your lamp and discontinue use:
 - Power cord or plug is damaged
 - Lamp becomes damp or damaged by water
 - The lamp starts smoking or sparking
 - The lamp's light is flickering

CAN RSS-216/CNR-216

This device contains licence-exempt transmitter(s)/receiver(s) that comply with Innovation, Science and Economic Development Canada's licence-exempt RSS(s). Operation is subject to the following two conditions:

- (1) This device may not cause interference.
- (2) This device must accept any interference, including interference that may cause undesired operation of the device.

CAN ICES-005(B) / NMB-005(B)

RF EXPOSURE INFORMATION

This equipment complies with IC RSS-216 radiation exposure limits set forth for an uncontrolled environment. This equipment should be installed and operated with minimum distance 10cm between the radiator and your body.

IC:255A-8089425



THE SOURCE - WARRANTY

The Source warrants that this product will be free from defects in materials and workmanship for a period of 6 months from the date of purchase. Within this period, simply take the product and your proof of purchase to any The Source store or participating dealer and the product will be replaced (where available) without charge. Any product which has been subject to misuse or accidental damage is excluded from this warranty. This warranty is only applicable to a product purchased through The Source company-owned stores or participating dealers in Canada where the warranty is included with the product. While this warranty does not confer any legal rights other than those set out above, you may have additional statutory rights which will vary under the laws of the various countries, states, provinces and other governmental entities in which The Source operates. This warranty is subject to all statutory rights you may have in Canada.

Imported by:
The Source, Barrie, Ontario, Canada, L4M 4W5
Manufactured in China
www.thesource.ca
© 2021 The Source. All rights reserved.

