

## WIRELESS OVER-EAR HEADPHONES HRF 5021



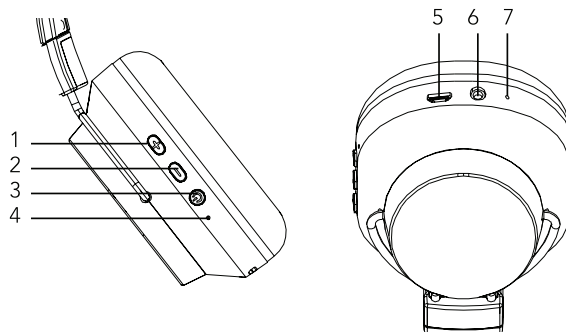
The Bluetooth® word mark and logos are registered trademarks owned by Bluetooth® SIG, Inc. and any use of such marks by The Source (Bell) Electronics Inc. is under license. Other trademarks and trade names are those of their respective owners.

### WHAT'S INCLUDED:

- Headphones
- Micro USB charging cable
- 3.5mm audio cable
- Instruction manual

### IDENTIFYING THE PARTS OF YOUR HEADPHONES

1. Volume + / Next Song
2. Volume - / Previous Song
3. MFB (Power ON/OFF, Answer/End Call, Play/Pause)
4. LED indicator
5. Micro USB charging port
6. 3.5mm audio jack
7. Microphone



### INTRODUCTION

Thank you for purchasing HRF 5021 Headphones. In order to maximize your listening experience, please read the instructions below.

### OPERATING INSTRUCTIONS

TO	DO THIS
Power ON	Press and hold MFB for 2 seconds, the headphones will beep 4 times.
Power OFF	Press and hold MFB for 5 seconds, the headphones will beep 4 times.
Adjust the volume	Press the volume + or - button. When the max volume is reached, the headphones will beep.
Play/Pause	Press MFB once to pause, press again to resume.
Next track	Press and hold the + button.
Previous track	Press and hold the - button.
Answer a call	Press MFB button.
End a call	Press MFB button.
Reject a call	Press and hold MFB.
Enable Voice Assistant	Press MFB twice.
Restore Factory Settings	Press Volume + and Volume - quickly at the same time while Bluetooth is connected. The LED will flash quickly 3 times.

**NOTE:** when using the 3.5mm audio cable, the headphones need to be OFF and the above operating instructions do not apply. The function capability may vary among different smartphones or devices. Not all functions are available on all devices. In order to use the voice assistant function, your device must have voice function capability enabled. Remote play control (Play/Pause/Next Track/Previous Track) requires that your device supports AVRCP Bluetooth profile.

### LED INDICATOR

FUNCTION	OPERATION	LED STATUS
Power ON	Press and hold the MFB for approximately 2 seconds	Red and blue LED flash alternately.
Power OFF	Press and hold the MFB for approximately 5 seconds	Red LED is ON.
Pairing	Press and hold the MFB for approximately 2 seconds	Red and blue LED flash alternately.
OFF	Charging	Red LED ON.
OFF	Fully charged	Blue LED ON.

### CHARGING

Fully charge your headphones before first use. Plug the supplied micro USB cable into the micro USB port and then to a USB compatible car or wall charger. A full charge will take about 4.5 hours. During charging, the red LED will remain solid. When fully charged, the blue LED light will turn ON.

### BATTERY CAPACITY STATUS

When the headphones are connected to an iOS® device, the headphone battery status will appear in the upper right-hand corner. When the battery icon is red, please charge the headphones.

### PAIRING

Pairing with one smartphone or other device:

- Make sure the headphones are ON
- Press and hold the MFB button for 1-2 seconds to enter into pairing mode
- The red LED and blue LED will flash alternately
- Locate the Bluetooth® settings in your device and search for the headphones
- From the list of found devices, select "HRF 5021" and select to connect it
- Follow the instructions and enter "0000" as PIN, if required
- The headphones will turn OFF if no device is paired within 5 minutes

### 3.5MM LINE-IN

Connect the 3.5mm audio jack to your headphones and audio devices.

### USING YOUR HEADPHONES

1. For the best sound and comfort, the right fit is very important. Please adjust your headband to make sure the headphones fit snugly and securely.
2. Place your headphones on corresponding ear side (R on right ear and L on left ear).
3. To ensure your headphones stay in place while doing physical activity, make sure the cord is placed in front of your head and body.

### TO PLAY MUSIC FROM YOUR PC OR LAPTOP

Turn ON the Bluetooth® function on your PC or laptop and turn ON your headphones. Select 'HRF 5021' from the Bluetooth® list. When connected successfully, the blue led on the headphones will flash every 5 seconds.

### RESTORE FACTORY SETTINGS

If there are problems pairing the headphones to your device or if you have removed them from your device list:

- Press the + and - buttons at the same time while the headphones are ON and connected.

### PROTECTING YOUR HEADPHONES

- Keep your headphones clean and free of debris
- DO NOT tug on the cable to disconnect plug from device but rather pull from the plug to disconnect
- DO NOT wrap headphones around a device while it is still plugged in as it puts unnecessary pressure on plug/cord connection

## SPECIFICATIONS

Bluetooth® version:	5.0
Bluetooth® profiles:	A2DP/AVRCP/HSP/HFP*
Talk time:	Approx. 25 hours**
Stand-by time:	Approx. 40 hours**
Music playtime:	Approx. 25 hours**
Wireless range:	within 10m (32-ft.)
Impedance:	32Ω
Sound pressure level:	98dB ± 3dB
Frequency response:	20Hz-20kHz
Driver diameter:	40mm
Battery:	250mAh Lithium-Ion
Recharging input:	DC 5V/500mA

\*HFP = Handsfree profile, HSP= Handset profile, A2DP=Advanced audio distribution profile, AVRCP=Audio/video remote control profile.

\*\*Approximate playback time, battery life depends on individual use and may be more or less than specified.

## WARNING!

- DO NOT insert plug into electric sockets
- Supervise children when using equipment, this product is not a toy
- Listening to headphones at high volume levels, particularly over extended periods of time, may damage your hearing
- If you have a pacemaker or other electrical medical devices, you should consult your physician before using this product
- The operation of switching on your Hi-Fi system or plugging in the headphones may cause clicks which at high volume setting may affect your hearing. Therefore, always set the volume control to minimum before switching between different sources (tuner, turntable, CD player, etc.) or plugging in the headphones
- DO NOT use headphones while driving or cycling

## TROUBLESHOOTING

### No sound

- Power ON the headphones and charge the battery
- Increase the volume on your headphones and Bluetooth® device
- Make sure you are using the correct paired device
- Move your Bluetooth® device closer to the headphones and away from any interference or obstructions
- Use a different music source
- Pair a different Bluetooth® device
- If two Bluetooth® devices are connected, pause the first device and play the other device
- If two Bluetooth® devices are connected, move the devices within range of the headphones

### Poor sound quality

- Use a different music source
- Pair a different Bluetooth® device
- Disconnect the second device
- Move the Bluetooth® device closer to the headphones, and away from any interference or obstructions

### Headphones don't turn ON

- Power ON the headphones
- Charge the battery

### Headphones don't pair with Bluetooth® device

- On your Bluetooth® device: Turn the Bluetooth® feature on and then off. Delete HRF 5021 Headphones from the Bluetooth® list on your device. Pair again
- Move your Bluetooth® device closer to the headphones and away from any interference or obstructions

## INDUSTRY CANADA NOTICE RSS247

This device complies with Industry Canada license-exempt RSS standard(s). Operation is subject to the following two conditions:  
(1) this device may not cause interference, and  
(2) this device must accept any interference, including interference that may cause undesired operation of the device.

This digital apparatus does not exceed the Class B limits for radio noise emissions from digital apparatus set out in the Radio Interference Regulations of Industry Canada.

IC Number: 255A-8086995



## THE SOURCE - WARRANTY

The Source warrants that this product will be free from defects in materials and workmanship for a period of one (1) year from the date of purchase. Within this period, simply take the product and your proof of purchase to any The Source store or participating dealer and the product will be replaced (where available) without charge. Any product which has been subject to misuse or accidental damage is excluded from this warranty.

This warranty is only applicable to a product purchased through The Source company-owned stores or participating dealers in Canada where the warranty is included with the product. While this warranty does not confer any legal rights other than those set out above, you may have additional statutory rights which will vary under the laws of the various countries, states, provinces and other governmental entities in which The Source operates. This warranty is subject to all statutory rights you may have in Canada.

Imported by:  
The Source,  
Barrie, Ontario, Canada, L4M 4W5

Manufactured in China

[www.thesource.ca](http://www.thesource.ca)

© 2020 The Source  
All rights reserved.



Please Recycle