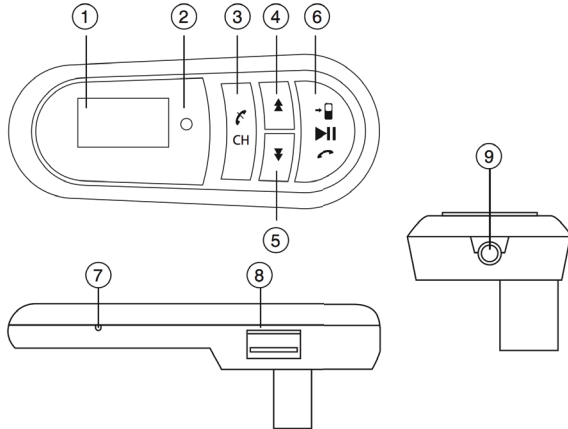


WHAT'S IN THE BOX:

- FM Transmitter
- Remote control
- 3.5mm audio cable
- Instruction manual



COMPONENT IDENTIFICATION

1. LCD display
2. Remote control sensor
3. Channel (CH) select frequency/End call
4. Next song/Up key (Channel frequency)/Increase volume
5. Previous song/Down key (Channel frequency)/Decrease volume
6. Play/Pause, Change mode/Answer call
7. Microphone
8. USB jack (works only for USB playback, there is no charging function)
9. 3.5mm Aux in

FEATURES

- Can be used in any vehicle that does not have a Bluetooth® connection
- Bluetooth®, USB input and 3.5 mm AUX in
- Large LCD—displays frequency and song information
- Full frequency range: 87.5–108MHz
- Last channel frequency, song and volume memory function
- Adjustable neck for viewing convenience
- The multi-point function allows two mobile phones to connect at the same time

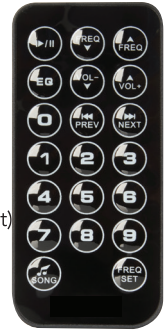
FM TRANSMITTER OPERATING INSTRUCTIONS

- Switch frequency Press CH
- Increase volume Press and hold
- Next song/track Press
- Decrease volume Press and hold
- Previous song/track Press
- Play/pause Press
- Answer a call Press the button when connected via Bluetooth®
- Play music via USB Press the button
- To switch into Bluetooth® mode Press and hold the button
- Switch between FM transmitter and cell phone during a call Press the button twice during a call to switch from phone speaker (private mode*) to FM transmitter

*Private mode means the phone call output comes from the original phone speaker. The phone audio is not forwarded to the connected FM transmitter. Bluetooth connection is the default setting after powering on.

REMOTE CONTROL

- Play/Pause Play/Pause the music
- FREQ (▼) Frequency down
- FREQ (▲) Frequency up
- EQ** Changes sound characteristic: NORMAL (default)/Rock/Pop/Classic/Jazz /Dbb (dynamic bass boost)
- Volume (▼) Volume down
- Volume (▲) Volume up
- PREV Previous track
- NEXT Next track
- Number keys For setting the frequency and picking songs
- Song *** Confirms song selection after choosing selection with the number buttons (USB only)



HOW TO SET THE FREQUENCY

Confirms setting the frequency after selection with the number buttons (for example 950 after choosing 95.0MHZ and 1062 after choosing 106.2MHZ

**function works with USB only

***function works with USB only

REPLACING THE REMOTE CONTROL BATTERY

1. Remove the battery compartment cover and battery.
2. Insert the replacement battery following the polarity markings (+ / -). If placed incorrectly the remote will not function.
3. Slide new battery and cover back into the remote.

CONNECTING VIA MOBILE PHONE OR OTHER DEVICE VIA BLUETOOTH®

- Insert the FM transmitter into your vehicle's 12V outlet and the transmitter will power on and chime. The Bluetooth® icon on the top left corner of the LCD display will flash slowly indicating a Bluetooth® device can be connected with the transmitter.
- Turn Bluetooth® ON in your device settings and select 'FM Transmit'. Follow the instructions and enter "0000" as PIN, if required. When the transmitter has successfully paired, the Bluetooth® icon will stay lit
- Set the car radio and FM transmitter to the same frequency (if the car radio shows 88.1MHz, then set the FM transmitter to 88.1)
- To switch frequency on the FM transmitter, press CH , then press the up or down buttons to change the frequency. When choosing a frequency, avoid using a frequency with a local strong radio signal to avoid interference with the sound quality
- Press play/pause

NOTE: When the FM transmitter is powered ON, it will automatically begin connecting to the previously connected device.

BLUETOOTH® MULTIPOINT FEATURE

The FM Transmitter can pair with 2 Bluetooth® devices simultaneously. These can be smartphones or Bluetooth®-enabled devices.

- Primary and secondary connection is determined by the sequence of connection. The first connecting device is primary and the device connected later is secondary
- If the FM transmitter is connected to two smartphones and phone 1 is playing music, you can stop music from phone 1 and start music playback on phone 2

MULTIPOINT CONNECTION SET UP

- To set up a primary cell phone, follow the pairing procedure above. Both phones have to be previously paired
- With the primary cell phone connected, you can connect the secondary mobile phone to the FM transmitter. Follow the pairing procedure above. If you cannot see the 'FM Transmit' name in your device history list, first pair this to the cell phone first to create the record

WIRELESS REMOTE CONTROL INSTRUCTIONS

- Press the ►|| button to play and pause music playback
- Press the ◀◀/▶▶ to go to the previous track or next track
- When using USB input, press '0-9' to select a song of your choice. The number of the chosen song will appear on the screen. This functionality is only for use with a USB connection
- Press the Vol ▲ or Vol ▼ to adjust the volume to your preferred level
- Press the FREQ ▲ or FREQ ▼ to adjust the channel frequency
- Press the EQ button to choose a music setting: natural, pop, classical, rock, jazz, country or DBB. Please note this works only with USB input.

AUX LINE IN

- Insert the 3.5mm audio cable into the 3.5mm jack on the FM transmitter
- Connect the other end of the cable to your music source (MP3 player, CD player, etc)
- Music will play through the car radio system

NOTE:

- 1 Use only with rated voltage (12-24V). Using a different voltage supply may cause damage to the product.
2. To achieve the best reception, make sure the channel frequency of this product and your car radio are the same. (For example: If your car radio is set at 88.1MHz, you should adjust the frequency of this transmitter to 88.1MHz as well).
3. Do not use the same frequency as your local broadcasting stations in order to avoid interference.
4. Bluetooth® operations may differ with various mobile phones.
5. Only one incoming call can be activated with this device even with 2 mobile phones connected. When the second incoming call is received, the first call will be forwarded to the phone speaker automatically.
6. When a call is incoming, press "play/pause" key to pickup the phone. Phone calls via Bluetooth® can only be activated by the FM Transmitter.
7. The performance of the FM Transmitter will vary according to mobile phone setting, mode of operation and user settings.

SPECIFICATIONS:

Power:	DC 12V-24V
File format support:	MP3
Electric current:	<100mA
FM frequency range:	87.5-108 MHz
Frequency response:	45dB
Frequency distortion:	<1 %
Transmission distance:	<3m
A2DP transmit distance:	>5m
Bluetooth version:	v4.2

BATTERY DISCLAIMER

WARNING: Keep out of reach of children. If swallowed call your doctor immediately. DO NOT open battery, dispose of in fire, charge, install backwards or mix with used or other battery.

CLEANING

Protect the device from contamination and pollution. Clean with a soft cloth. Avoid the use of rough or coarse-grained materials. Do NOT use solvents or other aggressive cleansers.

THE FCC WANTS YOU TO KNOW

This equipment has been tested and found to comply with the limits for a Class B digital device, pursuant to Part 15 of the FCC Rules. These limits are designed to provide reasonable protection against harmful interference in a residential installation.

This equipment generates, uses and can radiate radio frequency energy and, if not installed and used in accordance with the instructions, may cause harmful interference to radio communications. However, there is no guarantee that interference will not occur in a particular installation. If this equipment does cause harmful interference to radio or television reception, which can be determined by turning the equipment off and on, the user is encouraged to try to correct the interference by one or more of the following measures:

- Reorient or relocate the receiving antenna
- Increase the separation between the equipment and receiver
- Connect the equipment into an outlet on a circuit different from that to which the receiver is connected
- Consult the dealer or an experienced radio/TV technician for additional suggestions

Any changes or modifications not expressly approved by the party responsible for compliance could void the user's authority to operate the equipment. Where shielded interface cables have been provided with the product or specified additional components or accessories elsewhere defined to be used with the installation of the product, they must be used in order to ensure compliance with FCC regulation.

INDUSTRY CANADA NOTICE RSS247

This device complies with Industry Canada license-exempt RSS standard(s). Operation is subject to the following two conditions:

- (1) this device may not cause interference, and
- (2) this device must accept any interference, including interference that may cause undesired operation of the device.

This digital apparatus does not exceed the Class B limits for radio noise emissions from digital apparatus set out in the Radio Interference Regulations of Industry Canada.

INDUSTRY CANADA NOTICE RSS 210

This device complies with RSS-210 of Industry Canada. Operation is subject to the following two conditions:

- (1) this device may not cause interference, and
- (2) this device must accept any interference, including interference that may cause undesired operation of the device.

This digital apparatus does not exceed the Class B limits for radio noise emissions from digital apparatus set out in the Radio Interference Regulations of Industry Canada.

IC: 255A-8086950



THE SOURCE - WARRANTY

The Source warrants that this product will be free from defects in materials and workmanship for a period of twelve (12) months from the date of purchase. Within this period, simply take the product and your proof of purchase to any The Source store or participating dealer and the product will be replaced (where available) without charge. Any product which has been subject to misuse or accidental damage is excluded from this warranty.

This warranty is only applicable to a product purchased through The Source company-owned stores or participating dealers in Canada where the warranty is included with the product. While this warranty does not confer any legal rights other than those set out above, you may have additional statutory rights which will vary under the laws of the various countries, states, provinces and other governmental entities in which The Source operates. This warranty is subject to all statutory rights you may have in Canada.

Imported by:
The Source, Barrie, Ontario, Canada, L4M 4W5
Manufactured in China
www.thesource.ca
© 2020 The Source. All rights reserved.

