

WHAT'S INCLUDED:

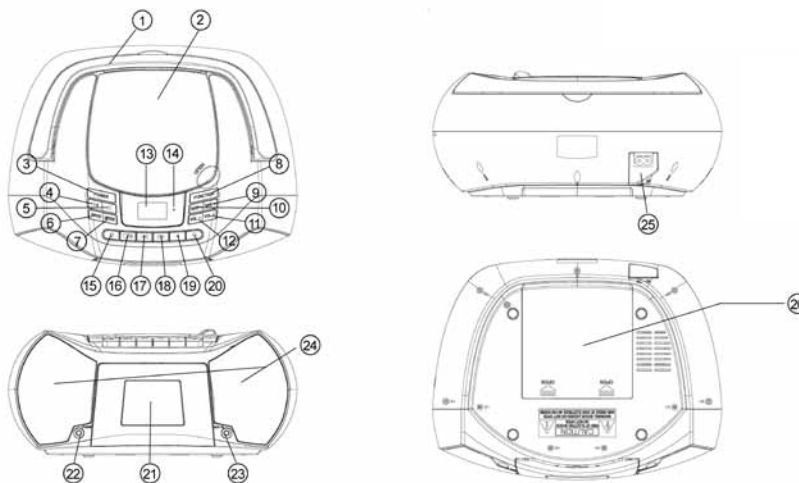
- CD cassette boombox
- Detachable AC cord
- Instruction manual

FEATURES:

1. Play CDs, cassettes and AM/FM radio
2. Record on cassette tapes

COMPONENT IDENTIFICATION:

- | | |
|-------------------|-------------------------|
| 1. Handle | 14. Power indicator |
| 2. CD door | 15. Tape pause |
| 3. Power button | 16. Tape stop/Eject |
| 4. Play/Pause | 17. Tape skip forward |
| 5. Stop/Band | 18. Tape skip backward |
| 6. Program | 19. Tape play |
| 7. Mode button | 20. Record |
| 8. Function | 21. Tape door |
| 9. Skip forward | 22. Phone jack |
| 10. Skip backward | 23. AUX IN jack |
| 11. Volume up | 24. Speakers |
| 12. Volume down | 25. AC power socket |
| 13. LCD display | 26. Battery compartment |



BATTERY INSTALLATION

1. Open the battery compartment.
2. Insert eight DC 1.5V C (UM-2) batteries (not included) following the correct polarity (+/-) marked.
3. Close the battery compartment.

NOTE: Installing the batteries incorrectly could result in damage. **DO NOT** mix old and new batteries. **DO NOT** mix Alkaline, Carbon-Zinc or Nickel-Cadmium batteries. For the best performance, we recommend you use good quality Alkaline batteries. Remove batteries if not used a long period of time.

AC POWER

This device operates on a 120V~60Hz connection or eight DC 1.5V C (UM-2) batteries (not included). **DO NOT** attempt to connect to any other power source, as it may cause damage to this device.

1. Plug the AC power cord into the radio's rear AC power socket, and into a power outlet.
2. The unit will automatically disconnect from the batteries and operate solely on AC power.

OPERATING INSTRUCTIONS

RADIO

1. Press the power button to turn the radio ON. FM is the default station, set to 87.5MHz.
2. To search stations, press the skip forward button. Press and hold the skip forward button to access auto scan.
3. To memorize stations into presets, press and hold the program button while listening to your desired station. "MEM" and "P01" will blink on the LCD display. Press skip forward to choose which memory preset you'd like to assign the station, up to "P20", press "PROGRAM" to confirm. You can save up to twenty stations for both FM and AM.
4. To access preset stations, press program once and skip forward until you find your chosen preset.
5. Press mode to automatically scan and save all stations that are received.

6. Press band to switch between FM and AM.

CD

Compatible with CD/CD-R/CD-RW

1. Press the "FUNCTION" button to select CD mode.
2. Open the CD door and place a CD (with the label side up) into the CD compartment.
3. Close the CD door.
4. A focus search is performed on the inserted CD. The total number of tracks is read and appears on the display.
5. Press the play/pause button to listen to your CD. The track number will appear on the LCD display. Press stop to stop listening to your CD.
6. Press the skip forward button to skip to the next song. Press and hold the skip forward button to fast forward the current song.
7. Press the skip backward button to return to the beginning of the current song. Press and hold the skip backward button to rewind the current song.
8. Press mode once to repeat the song being played. "REP" will be displayed. Press mode twice to repeat all the tracks. "REP ALL" will be displayed. Press mode three times to randomly play the songs. "RAND" will be displayed. Press mode one time to cancel previous functions.
9. Press program when you're not playing a CD. "P01" and "PROG" will flash. Press skip forward to select the song you'd like to save, and press program again to store your selection. You can save up to 20 songs. Press play/pause to play the programmed songs. While "PROG" is flashing press STOP twice to cancel programming.

TAPE

1. Press the tape stop/eject button to open the cassette compartment. Insert your cassette tape, bottom side up and tape facing you. Close the compartment.
2. Press the "FUNCTION" button to switch into cassette mode. "TAP" will be displayed. Adjust the volume to your desired level.
3. Press the tape pause button to stop the tape during recording or

- playback. Press the tape play button to resume.
- Press the tape skip forward or tape skip backward to fast forward or rewind the tape.
 - To record radio, press function for radio mode and hit tape record. To record from a CD, press function for CD mode, press play on your desired song and hit tape record.

AUX-IN MODE

- Press the "FUNCTION" button to enter AUX-IN mode. "AUH" will be displayed.
- Insert an AUX-IN cable (not included) and connect it to your external music source.

TROUBLESHOOTING

There is no sound, or sound is distorted:

- Replace the batteries to avoid battery leakage and/or plug the boombox in with the included AC power adapter
- Retune the AM or FM broadcast station
- Reposition the boombox until the best reception is achieved
- Increase or decrease the volume

The CD won't play, or it's skipping:

- Ensure the boombox is on CD mode by pressing function
- Ensure CD is loaded, label side up
- Wipe CD with clean cloth or use another disc
- Move boombox away from vibration or shock

SPECIFICATIONS

Frequency range:	AM: 520-1710 KHz FM: 87.5-107.9 MHz
Power sources:	AC: 120V~60Hz 12 W Batteries: eight DC 1.5V C (UM-2)

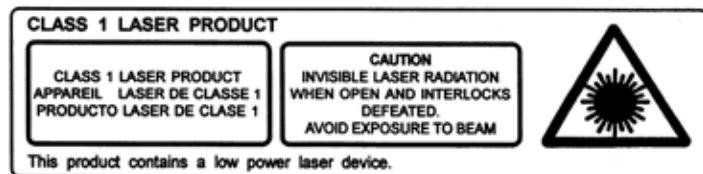
CARE AND MAINTENANCE

- Child supervision required while using this boombox
- Unplug this product from the wall outlet before cleaning
- Clean the boombox with a damp cloth (**NOT** drenched cloth) and **DO NOT** use solvent, detergent or other cleaning chemicals
- If your CD skips or isn't playing properly, wipe the disc's reflective side

WARNINGS

- Read and keep these instructions for future reference
- DO NOT** use this device near water, extreme temperatures or humidity
- DO NOT** place this device on an unsteady surface or mount
- Protect the plug and power cord from unnecessary damage
- Unplug this device during thunderstorms and when it's unused for long periods of time
- Changes or modifications to this device could void the user's authority to operate the equipment

CAUTION



- The laser beam in this boombox is harmful to the eyes
- DO NOT** attempt to disassemble and modify the casing

- Stop operation immediately if any liquid or solid objects fall into the boombox
- DO NOT** touch or poke the lens, as the boombox becomes damaged and will not operate properly
- DO NOT** jam the safety slot open, as the laser diode will remain ON when the CD compartment is still open
- If the boombox is unused for long periods of time, ensure all power sources are disconnected and remove any batteries that are installed
- Any use or adjustments other than those specified may result in exposure to hazardous radiation
- If any problems occur, remove the power source and have the boombox serviced by qualified personnel

THE FCC WANTS YOU TO KNOW

This equipment has been tested and found to comply with the limits for a Class B digital device, pursuant to Part 15 of the FCC Rules. These limits are designed to provide reasonable protection against harmful interference in a residential installation.

This equipment generates, uses and can radiate radio frequency energy and, if not installed and used in accordance with the instructions, may cause harmful interference to radio communications. However, there is no guarantee that interference will not occur in a particular installation. If this equipment does cause harmful interference to radio or television reception, which can be determined by turning the equipment off and on, the user is encouraged to try to correct the interference by one or more of the following measures:

- Reorient or relocate the receiving antenna
- Increase the separation between the equipment and receiver
- Connect the equipment into an outlet on a circuit different from that to which the receiver is connected
- Consult the dealer or an experienced radio/TV technician for additional suggestions

Any changes or modifications not expressly approved by the party responsible for compliance could void the user's authority to operate the equipment. Where shielded interface cables have been provided with the product, specified additional components, or accessories elsewhere defined to be used with the installation of the product, they must be used in order to ensure compliance with FCC regulation.

THE SOURCE - WARRANTY

The Source warrants that this product will be free from defects in materials and workmanship for a period of twelve (12) months from the date of purchase. Within this period, simply take the product and your proof of purchase to any The Source store or participating dealer and the product will be replaced (where available) without charge. Any product which has been subject to misuse or accidental damage is excluded from this warranty.

This warranty is only applicable to a product purchased through The Source company-owned stores or participating dealers in Canada where the warranty is included with the product. While this warranty does not confer any legal rights other than those set out above, you may have additional statutory rights which will vary under the laws of the various countries, states, provinces and other governmental entities in which The Source operates. This warranty is subject to all statutory rights you may have in Canada.

Imported by:
The Source, Barrie, Ontario, Canada, L4M 4W5
Manufactured in China
www.thesource.ca
© 2019 The Source. All rights reserved.

