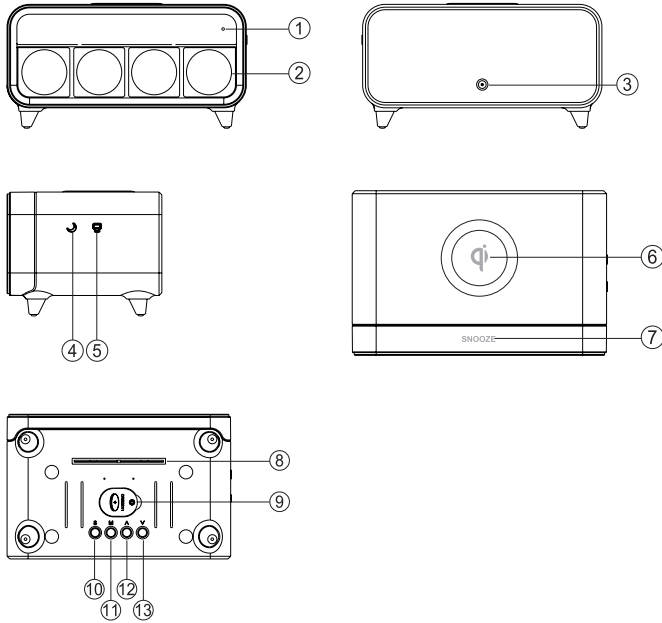


INCLUDED

- Wireless charging alarm clock
- Power adapter
- 1 CR2032 battery
- Instruction manual

PRODUCT IDENTIFICATION



1. Wireless charging indicator LED
2. RGB bulb
3. DC adapter port
4. Moon button
5. Screen button
6. Wireless charging area
7. Touch snooze button
8. Heat dispersion hole
9. Button cell battery cover
10. S key
11. Mode key
12. Up key
13. Down key

FEATURES

- 5W Qi wireless charging
- 4 LED bulbs with 3 lighting modes—bright, breathing and colour-changing
- Alarm clock with snooze and 3 brightness settings

OPERATING INSTRUCTIONS

WIRELESS CHARGING

1. Place your Qi-enabled smartphone in the centre on the pad on the top of the alarm clock.
2. The LED indicator will be red when your phone is charging. It will turn green when your phone is fully charged*.

NOTE: If the LED indicator is flashing red, the charger has encountered an error. Please check the device to make sure there aren't any metal objects on the wireless charging pad.

*Not all phones will send a fully-charged signal to the wireless charger. With such phones the light will not turn green.

BRIGHTNESS ADJUSTMENT

1. Plug in the included power adapter.
2. Touch the to adjust the brightness of the display. It will cycle through high, low and OFF.

LIGHT MODE

1. Touch the to open and adjust the lighting modes.
2. Press the to cycle through lighting modes.
 - Mode 1: Atmosphere light—ON.
 - Mode 2: Breathing light, fixed colour.
 - Mode 3: Gradients mode. Each bulb's colour changes slowly.
3. Press and hold the to turn OFF the lighting.

SETTING THE TIME

1. Press S to enter the time setting function. The clock icon will flash.
 2. Touch S once to adjust the hour. Touch S again to adjust the minutes. Press ^ or v to adjust the time.
 3. Once you have set the minutes, you can press S to exit the settings. You can also press M to exit the settings and return to the time display.
- NOTE:** In display mode press v to change between 12 hour and 24 hour format.

SETTING THE ALARM AND SNOOZE

1. Press M to enter the alarm setting function. The bell icon will turn ON.
2. Press S to begin adjusting the alarm. The bell icon and hour will flash.
3. Touch S once to adjust the hour. Touch S again to adjust the minutes. Press ^ or v to adjust the time.
4. Once you have set the minutes, you can press S to exit the settings. You can also press M to exit the settings and return to the time display.
5. In display mode, press ^ once to turn the alarm ON, twice to turn the snooze function ON and 3 times to turn all functions OFF.
6. When the alarm activates, it will ring for a minute. Pressing SNOOZE will snooze the alarm. Any other button will deactivate the snooze function and silence the alarm.

SPECIFICATIONS

Adapter Output:	12V/1A
Wireless Output:	5V/1A

WARNING

- **DO NOT** alter or disassemble this device to avoid an electrical shock
- **DO NOT** place this device on an unstable surface
- **DO NOT** expose this device to extreme humidity or temperatures
- **DO NOT** place metal or magnetic objects on the wireless charger (ID card, bank card, key cards etc.)
- **DOES NOT** support wireless fast charge
- Keep out of reach of children

CAN RSS-216/CNR-216 IC:255A-8082223

This device contains licence-exempt transmitter(s)/receiver(s) that comply with Innovation, Science and Economic Development Canada's licence-exempt RSS(s). Operation is subject to the following two conditions: (1) This device may not cause interference. (2) This device must accept any interference, including interference that may cause undesired operation of the device.

RF EXPOSURE INFORMATION:

This equipment complies with IC RSS-216 radiation exposure limits set forth for an uncontrolled environment. This equipment should be installed and operated with minimum distance 10cm between the radiator and your body.

THE SOURCE - WARRANTY

The Source warrants that this product will be free from defects in materials and workmanship for a period of 6 months from the date of purchase. Within this period, simply take the product and your proof of purchase to any The Source store or participating dealer and the product will be replaced (where available) without charge. Any product which has been subject to misuse or accidental damage is excluded from this warranty. This warranty is only applicable to a product purchased through The Source company-owned stores or participating dealers in Canada where the warranty is included with the product. While this warranty does not confer any legal rights other than those set out above, you may have additional statutory rights which will vary under the laws of the various countries, states, provinces and other governmental entities in which The Source operates. This warranty is subject to all statutory rights you may have in Canada.

Imported by:
The Source, Barrie, Ontario, Canada, L4M 4W5
Manufactured in China
www.thesource.ca
© 2019 The Source. All rights reserved.



