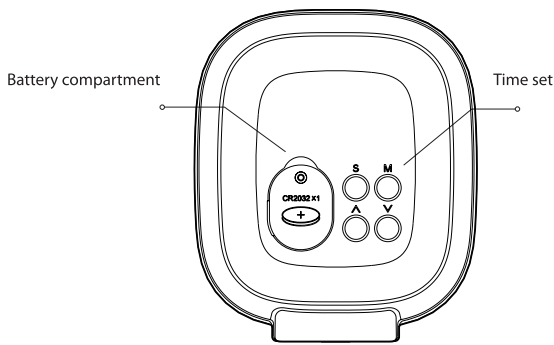
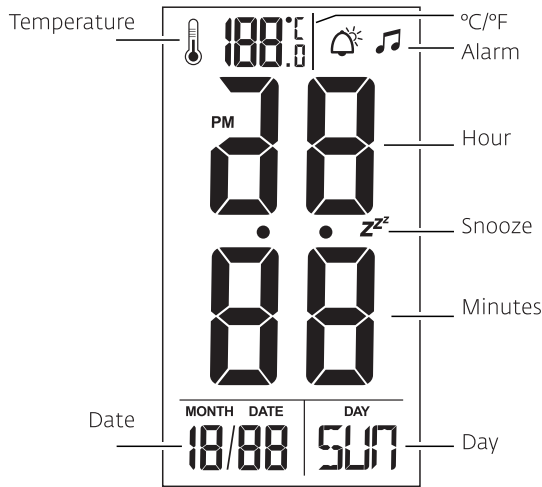


COMPONENT IDENTIFICATION



INCLUDED

- Desk organizer lamp and clock
- Power adapter
- CR2032 battery
- Instruction manual

FEATURES

- LCD display with calendar, temperature, clock and alarm
- Touch dimmer for elegant, convenient control
- 3 brightness levels
- Portable, foldable design convenient for storage and adjustment

SETTING THE TIME

1. Press 'S' to access the clock's settings. Press 'S' again to switch through hour, minute, year, month and date.
2. Press '^' or 'v' to adjust the settings.
3. Press 'M' to confirm the settings and exit.

**NOTE:** The settings will automatically exit if left inactive for one minute, and return to the clock display.

ALARM AND SNOOZE

1. Press 'M' to access the alarm's settings.
2. Once in alarm settings, press 'S' to switch through hour, minute, snooze and music.

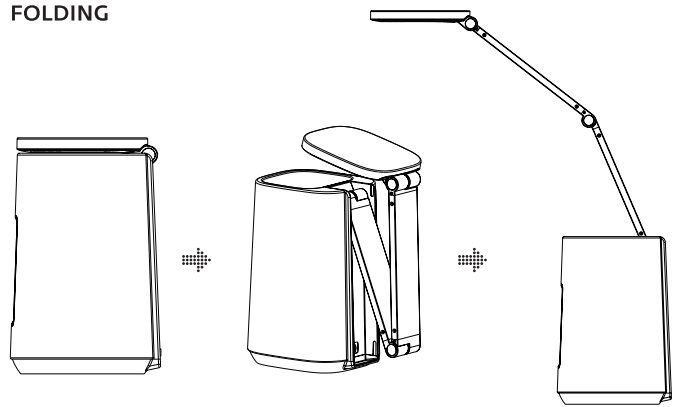
3. Press '^' or 'v' to adjust the time, snooze time and sound of your alarm.
4. After setting the sound press 'S' again, then press '^' or 'v' once to turn the alarm ON, twice to turn both the snooze and alarm ON and 3 times to turn them both OFF.
5. Press 'M' to confirm the settings and exit
6. When the alarm activates, with snooze mode turned ON it will ring for one minute before entering snooze mode. It will begin ringing again based on the snooze time you set. Press any button to turn the alarm and snooze OFF. The alarm will automatically sound 3 times at the set time interval if no buttons are pressed.
7. If snooze mode is not turned ON, the alarm will sound for 1 minute then turn OFF until the same time the next day.

**NOTE:** In clock mode, press 'v' to switch between Celsius and Fahrenheit and press '^' to switch between 12 hour and 24 hour format.

LAMP

1. Hold the base of the lamp when you attempt to adjust the angle.
2. The lamp arm and head both have 180° adjustment angles. Trying to force the joints passed this threshold will potentially cause damage to the device.

FOLDING



SPECIFICATIONS

Input	5V/1A
Colour Temperature	4000K +/- 250K
Lamp Output	5W
Lamp Light	900LUX/30cm
CRI	>80Ra/>200Lm

WARNING

- **DO NOT** alter or disassemble this product
- **DO NOT** force the lamp to bend further than its maximum joint adjustment
- **DO NOT** use this lamp in a high-humidity or high-temperature environment
- **DO NOT** look directly at the lamp's light to avoid eye damage
- Use the vendor's supplied power adapter to maintain your lamp's life and operation
- If any of the below conditions occur, immediately unplug your lamp and discontinue use:
  - Power cord or plug is damaged
  - Lamp becomes damp or damaged by water
  - The adjustment joints break
  - The lamp starts smoking or sparking
  - The lamp's light is flickering

CAN ICES-005 (B)/NMB-005(B)

THE SOURCE - WARRANTY

The Source warrants that this product will be free from defects in materials and workmanship for a period of 6 months from the date of purchase. Within this period, simply take the product and your proof of purchase to any The Source store or participating dealer and the product will be replaced (where available) without charge. Any product which has been subject to misuse or accidental damage is excluded from this warranty. This warranty is only applicable to a product purchased through The Source company-owned stores or participating dealers in Canada where the warranty is included with the product. While this warranty does not confer any legal rights other than those set out above, you may have additional statutory rights which will vary under the laws of the various countries, states, provinces and other governmental entities in which The Source operates. This warranty is subject to all statutory rights you may have in Canada.

Imported by:  
The Source, Barrie, Ontario, Canada, L4M 4W5  
Manufactured in China  
www.thesource.ca  
© 2019 The Source. All rights reserved.

