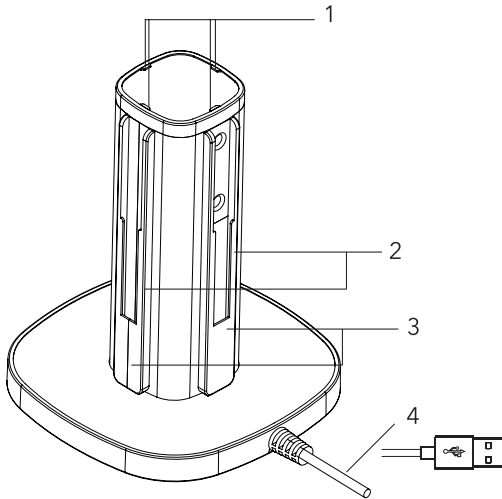


CHARGER FOR JOY-CON™

COMPONENT IDENTIFICATION

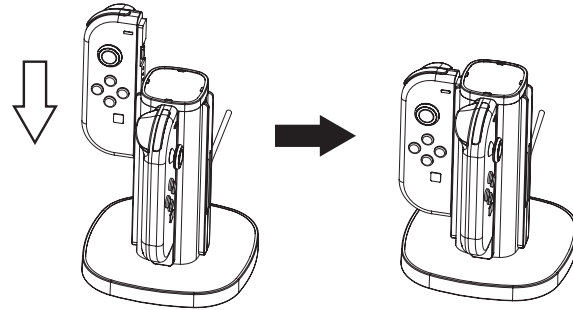
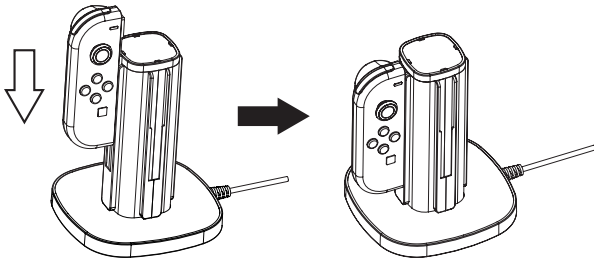


1. Charging LED indicators
2. 4 Joy-Con™ charging chutes
3. 4 charging ports
4. 5V USB input

CHARGING

For faster charging, charge one controller at a time. Depending on how many controllers are docked, the charger optimizes charging time by alternating between the controllers.

1. Plug your charger in.
2. Slide your Joy-Con™ charger into one of the four ports.



3. When the LED is solid red, the controller is charging.
4. When the LED is solid green, charging is complete.

IMPORTANT! If a power surge occurs, the charger will initiate its surge protection. Remove controllers from the charging ports and the charger will automatically reset.

UNDERSTANDING THE LED STATUS LIGHTS

LED STATUS	WHAT IT MEANS
Red and green LED flashes	The charger is powering ON and self-testing
Solid red LED	The Joy-Con™ controller is charging
Solid green LED	The Joy-Con™ controller is fully charged
Red LED slowly flashes	Input voltage to the charger is too low (4.7V) or too high (5.6V)
Red LED rapidly flashes	A power surge has occurred
No light	No controller is inserted

Nintendo Switch™ is a registered trademark of Nintendo Inc. This Product is not designed, manufactured, approved, sponsored or endorsed by Nintendo. All trademarks belong to their respective owners. Joy-Con™ controllers sold separately.

THE SOURCE - WARRANTY

The Source warrants that this product will be free from defects in materials and workmanship for a period of twelve (12) months from the date of purchase. Within this period, simply take the product and your proof of purchase to any The Source store or participating dealer and the product will be replaced (where available) without charge. Any product which has been subject to misuse or accidental damage is excluded from this warranty.

This warranty is only applicable to a product purchased through The Source company-owned stores or participating dealers in Canada where the warranty is included with the product. While this warranty does not confer any legal rights other than those set out above, you may have additional statutory rights which will vary under the laws of the various countries, states, provinces and other governmental entities in which The Source operates. This warranty is subject to all statutory rights you may have in Canada.

Imported by:
The Source, Barrie, Ontario, Canada, L4M 4W5
Manufactured in China
www.thesource.ca
© 2022 The Source. All rights reserved.

