



HEADRUSH®

2.4GHZ WIRELESS HEADPHONES HRF 801

8081706

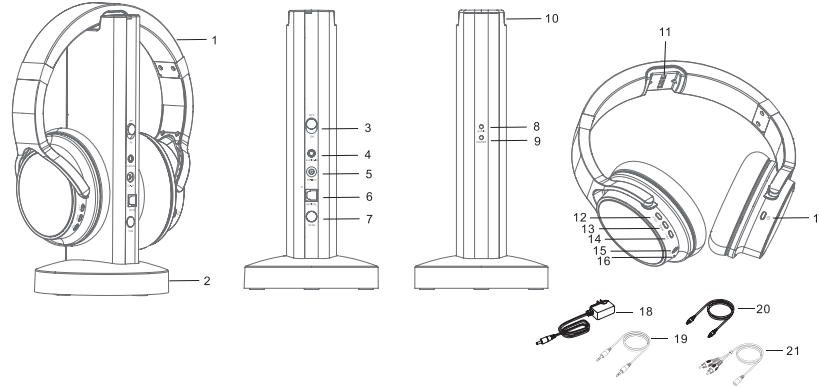
INSTRUCTION MANUAL

WHAT'S INCLUDED:

- HRF 801 Headphones
- Transmitter
- Power adapter
- 3.5mm audio cable
- RCA cable
- Optical cable
- Instruction manual

COMPONENT IDENTIFICATION

- | | |
|------------------------|----------------------------|
| 1. Headphones | 12. Volume up button |
| 2. Transmitter | 13. Scan/pairing button |
| 3. Power ON/OFF switch | 14. Volume down button |
| 4. AUX-in port | 15. Aux-in port |
| 5. DC-in port | 16. Power/RF reception LED |
| 6. Optical-in port | 17. Power ON/OFF switch |
| 7. Scan/pairing button | 18. Power adapter |
| 8. Audio LED | 19. Audio cable |
| 9. Power LED | 20. Optical cable |
| 10. Charging pins | 21. 3.5mm to RCA Y cable |
| 11. Charging contacts | |



INTRODUCTION

Thank you for purchasing the HeadRush HRF 801 headphones. In order to maximize your listening experience, please read the instructions below.

CHARGING

Before first use, charge the headphones for 6-8 hours. Subsequently, it will only take approximately 4 hours to fully charge the headphones.

- The power LED indicator on the transmitter will turn red while charging
- The power LED indicator on the transmitter will turn blue when charging is complete
- If the headphones have a low battery, are charging on the transmitter, or don't detect a signal for 25 minutes, they will automatically turn OFF

OPERATING INSTRUCTIONS

1. Plug the transmitter in with the provided power adapter to the DC 5V port. The power LED indicator will turn blue to indicate power, and you can connect the headphones for charging.
2. Turn the AUDIO ON/OFF with the power ON/OFF switch on the transmitter. The blue AUDIO indicator will turn ON/OFF to indicate status.
3. Plug the 3.5mm audio cable into your device's audio output. Connect the other end to the transmitter's AUDIO-IN port.
4. Power ON the headphones with the ON/OFF button on the right ear cup of the headphone. If the LED is red, it's searching for the transmitter's signal. If the LED is blue, it has successfully connected to the transmitter.
5. To listen through the optical instead of the audio, plug the optical cable into the OPTICAL port on the transmitter. Compatible devices MUST have an optical port to work. If both the audio and optical cables are connected, audio will only transmit through the 3.5mm audio connection.
6. Convert the headphones to a wired connection with the 3.5mm audio cable.
7. If there is signal interference or poor reception, the headphones will mute and the LED will turn red. Press SCAN on both the transmitter and the headphones at the same time for ten seconds, and the LED will turn blue if the connection is found.

NOTE: Volume up/down functions on the headphones only work in wireless mode. Headphones will enter a dormant mode when the music is paused or the transmitter's signal is not found after about 5 minutes.

USING YOUR HEADPHONES

1. For the best sound and comfort, the right fit is very important. Please adjust your headband to make sure the headphones fit snugly and securely.
2. Place your headphones on corresponding ear side (R on right ear and L on left ear).

TROUBLESHOOTING

No Sound

- Ensure the power adapter is securely plugged into the transmitter
- Ensure the headphones are powered ON
- Ensure the headphones and the transmitter are synced
- The headphones may need to be charged
- The headphones may need to move closer to the transmitter
- Ensure the audio device is switched ON
- The volume of the audio device may need to be increased

- If there is interference or poor signal reception, audio from the headphones will mute and the Power/RF Reception LED is solid red. Press the Scan buttons on transmitter and on headphones at the same time for 10 seconds until the headphones LED turn solid blue again

CARE AND STORAGE

- Dust the headphones and transmitter with a soft, dry cloth
- Store the headphones and transmitter in a cool, dry place

SPECIFICATIONS

Power supply (Transmitter):	DC 5V, 550mA
Power supply (Headphones):	3.7V, 800mAh
Frequency:	2.4G-2.48GHz digital
Transmission mode:	GFSK
Wireless range:	Up to 50m (164ft.)
S/N Ratio:	80dB
Frequency response:	30Hz-20kHz
Charging time:	Approx. 4 hours
Battery life:	Approx. 12 hours

WARNING FOR THE LITHIUM-ION BATTERY

This device contains a non-removable Lithium-Ion battery. The battery must be recycled or disposed of properly. Contact your local waste management office for information on battery recycling or disposal.

THE FCC WANTS YOU TO KNOW

This equipment has been tested and found to comply with the limits for a Class B digital device, pursuant to Part 15 of the FCC Rules. These limits are designed to provide reasonable protection against harmful interference in a residential installation.

This equipment generates, uses and can radiate radio frequency energy and, if not installed and used in accordance with the instructions, may cause harmful interference to radio communications. However, there is no guarantee that interference will not occur in a particular installation.

If this equipment does cause harmful interference to radio or television reception, which can be determined by turning the equipment off and on, the user is encouraged to try to correct the interference by one or more of the following measures:

- Reorient or relocate the receiving antenna
- Increase the separation between the equipment and receiver
- Connect the equipment into an outlet on a circuit different from that to which the receiver is connected
- Consult the dealer or an experienced radio/TV technician for additional suggestions

Any changes or modifications not expressly approved by the party responsible for compliance could void the user's authority to operate the equipment. Where shielded interface cables have been provided with the product or specified additional components or accessories elsewhere defined to be used with the installation of the product, they must be used in order to ensure compliance with FCC regulation.

FCC ID: 2ANCNH-RF801

INDUSTRY CANADA NOTICE RSS210

This device complies with Industry Canada license-exempt RSS standard(s).

Operation is subject to the following two conditions:

- (1) this device may not cause interference, and
- (2) this device must accept any interference, including interference that may cause undesired operation of the device.

This digital apparatus does not exceed the Class B limits for radio noise emissions from digital apparatus set out in the Radio Interference Regulations of Industry Canada.

IC:255A-8081706

 **THE SOURCE - WARRANTY**

The Source warrants that this product will be free from defects in materials and workmanship for a period of 12 months from the date of purchase. Within this period, simply take the product and your proof of purchase to any The Source store or participating dealer and the product will be replaced (where available) without charge. Any product which has been subject to misuse or accidental damage is excluded from this warranty. This warranty is only applicable to a product purchased through The Source company-owned stores or participating dealers in Canada where the warranty is included with the product. While this warranty does not confer any legal rights other than those set out above, you may have additional statutory rights which will vary under the laws of the various countries, states, provinces and other governmental entities in which The Source operates. This warranty is subject to all statutory rights you may have in Canada.

Imported by:
The Source, Barrie, Ontario, Canada, L4M 4W5
Manufactured in China
www.thesource.ca
© 2019 The Source. All rights reserved.

