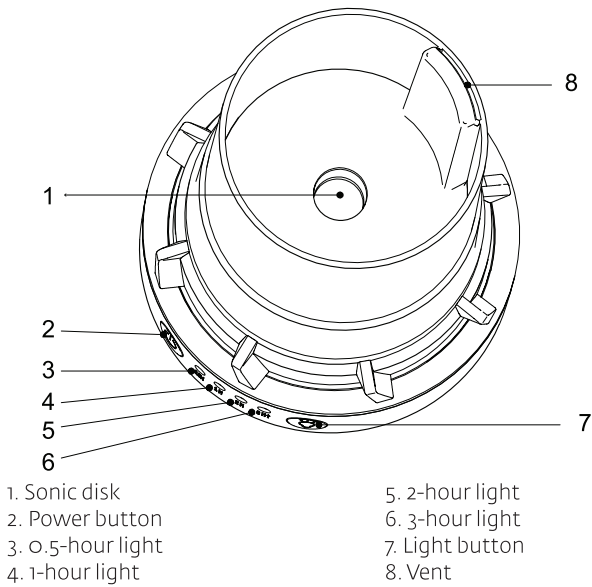


INCLUDED

- Diffuser
- One 10ml bottle of Lavender essential oil
- One 10ml bottle of Peppermint essential oil
- AC adapter plug



- | | |
|-------------------|-----------------|
| 1. Sonic disk | 5. 2-hour light |
| 2. Power button | 6. 3-hour light |
| 3. 0.5-hour light | 7. Light button |
| 4. 1-hour light | 8. Vent |

GETTING STARTED

OPERATING INSTRUCTIONS

- Remove canopy and reservoir lid
- Plug in power plug into the bottom of the base
- Fill diffuser with water. For maximum run time, fill to max line – 100ml. Use water under 45°C (113°F), and avoid getting water into the air vent
- Add 2 to 3 drops of essential oil to full tank (100ml) of water. For stronger fragrance add more drops of oil
- **DO NOT** add more than 2 drops of fragrance oil to 20ml of water. Over dosage of fragrance can shorten the life of the diffuser
- **DO NOT** overfill diffuser unit
- Replace reservoir lid and canopy ensuring they are secure
- Plug AC adapter into wall outlet

DIFFUSER SETTINGS

- Place diffuser on solid, level surface
- Press the power button (2) on the left side to control mist
 - Press once for 30 mins
 - Press 2 times for 60 mins
 - Press 3 times for 2 hours
 - Press 4 times for 3 hours
- Press power button at any time to turn off diffuser mist

NOTE: The diffuser will turn OFF automatically when the reservoir is out of water or at 3 hours when the timer is up.

LIGHT SETTINGS

- Press the light button (7) on the right to control light settings
- There are 8 light settings:
 - Press once for colour-changing rainbow mode, where it will gradually switch between all colours
 - Keep pressing the button to change to solid colours with a bright and soft light function

MOVING AND STORAGE INSTRUCTIONS

- **DO NOT** move diffuser while in use (fluid in reservoir could spill and cause damage)
- **DO NOT** carry the unit from the top, lid or decorative canopy
- Thoroughly clean diffuser before storing

CARE AND MAINTENANCE

- Always turn OFF and unplug the diffuser for care and maintenance
- Clean when switching to a new fragrance
- Empty water from unit, pouring away from the vent
- Clean the water chamber with a soft cloth or soft brush
- Clean any scale deposits off of the ultra-high sonic disc
- **DO NOT** use metal or hard abrasive to scrape the ultra-high sonic disc
- Clean the sonic disc while it is wet. Allowing it to dry will cause any buildup to harden making it more difficult to remove
- If the sonic disc becomes excessively scaled, it may be necessary to clean the unit repeatedly to remove the buildup
- Wipe dry and allow to air dry fully
- **DO NOT** use vinegar or other corrosive cleaning agents
- Avoid water going into the air vent
- Periodically wipe off the fan intake on the bottom of the unit with a dry, soft cloth

WARNING

- **DO NOT** block bottom of the unit or use on or near flammable surfaces, substances, heat sources or open flames
- **DO NOT** use on any surface that can be easily damaged, such as wood surfaces or surfaces that can be harmed by humidity or moisture
- **DO NOT** use if cord or plug is damaged. If diffuser malfunctions, is damaged or immersed in water discontinue use
- Use only power supply and cord provided
- For indoor use only
- **DO NOT** touch the sonic disc with bare fingers or scrape it with metal tools. This can cause damage and reduces mist output
- Always supervise diffuser use around children, disabled persons and pets
- **DO NOT** use diffuser in wet locations, anywhere it could get wet, or when user is wet. Water may damage diffuser and increase risk of electrical shock or death. Never rinse or immerse unit in water or any other liquid
- Always dilute fragrance with water. Never use only fragrance
- **DO NOT** leave powered on or unattended overnight
- Use with essential oils or water-based fragrances only. Acidic oils can affect the longevity of the diffuser. Follow fragrance dilution instructions

CAN ICES-3(B)/NMB-3(B)

THE SOURCE - WARRANTY

The Source warrants that this product will be free from defects in materials and workmanship for a period of 6 months from the date of purchase. Within this period, simply take the product and your proof of purchase to any The Source store or participating dealer and the product will be replaced (where available) without charge. Any product which has been subject to misuse or accidental damage is excluded from this warranty. This warranty is only applicable to a product purchased through The Source company-owned stores or participating dealers in Canada where the warranty is included with the product. While this warranty does not confer any legal rights other than those set out above, you may have additional statutory rights which will vary under the laws of the various countries, states, provinces and other governmental entities in which The Source operates. This warranty is subject to all statutory rights you may have in Canada.

Imported by:
The Source, Barrie, Ontario, Canada, L4M 4W5
Manufactured in China
www.thesource.ca
© 2019 The Source. All rights reserved.

