



HEADRUSH®

WIRELESS ON-EAR HEADPHONES

HRC 5020B/BL/C

8073879/80/8080977

INSTRUCTION MANUAL



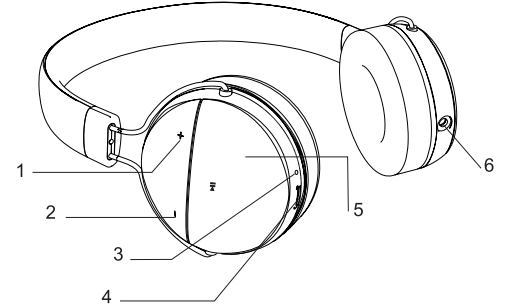
The Bluetooth® word mark and logos are registered trademarks owned by Bluetooth® SIG, Inc. and any use of such marks by The Source (Bell) Electronics Inc. is under license. Other trademarks and trade names are those of their respective owners.

WHAT'S INCLUDED:

- HRC 5020B/BL/C Headphones
- Micro USB charging cable
- 3.5mm audio cable
- Instruction manual

IDENTIFYING THE PARTS OF YOUR HEADPHONES

1. Volume up/Next +
2. Volume down/Previous -
3. Microphone
4. Micro USB charging port
5. MFB (Multi-function button) ▶||
6. 3.5mm audio port



INTRODUCTION

Thank you for purchasing the HeadRush HRC 5020B/BL/C Headphones. In order to maximize your listening experience, please read the instructions below.

OPERATING INSTRUCTIONS

TO	DO THIS
Power ON	Press and hold MFB button for 3 seconds. The red LED will turn ON and the headphones will beep.
Power OFF	Press and hold MFB button for 3 seconds. The headphones will beep.
Adjust the volume	Long press +/- button.
Play/Pause	Press MFB button once to pause. Press again to resume.
Next track	Short press + button.
Previous track	Short press - button.
Answer a call	Press MFB button.
End a call	Press MFB button.
Pairing mode	With headphones OFF press and hold MFB button for 8 seconds. The red and blue LED will flash and the headphones will beep twice.
Redial previous number	Double press MFB button.
Transfer call	Press MFB button twice to transfer an ongoing call between your mobile device and the headphones.
Reject call	Press MFB button for 2 seconds to reject an incoming call.
Pair multiple devices	In pairing mode, press MFB button to enable multipoint. Press MFB twice to disable multipoint.
Factory reset	In pairing mode press and hold + and - for 5 seconds to clear the paired device list.
Low battery warning	LED will flash red and the headphones will beep every 2 minutes.

NOTE: The function compatibility may vary among different smartphones or devices. Not all functions are available on all devices.

LED INDICATOR

FUNCTION	LED STATUS
Power ON	Red LED ON.
Pairing	Red and blue LED flash alternately.
Standby	Blue LED flashes every 6 seconds.
Low battery	Red LED flashes continuously.
Charging	Solid Red LED.
Charge complete	Blue LED turns ON when charging is complete.

BATTERY CAPACITY STATUS

When the headphones are connected to an iOS device the headphone battery status will appear in the upper right-hand corner of the iOS device screen. When the battery icon is red, please charge the headphones.



CHARGING

Please charge your headphones fully before the first use. After use, when the battery is low, charge using the included micro USB cable. A full charge will take about 2 hours. During charging, the red LED will remain solid. When fully charged, the blue LED will turn ON.

REMOTE FUNCTION

TO	DO THIS
Increase the volume	Long press the + button.
Decrease the volume	Long press the - button.
Play/Pause	Press MFB once to pause, press again to resume.
Answer a call	Press MFB button once.

PAIRING

Pairing with one smartphone or other device:

- Make sure the headphones are OFF
- Press and hold the MFB button for 8 seconds to enter into pairing mode
- The red LED and blue LED will flash alternately
- Locate the Bluetooth® settings in your device and search for the headphones
- From the list of found devices, select "HRC 5020" and select to connect to it

The headphones will automatically connect to your device when switched ON, provided your device Bluetooth® is ON and within range.

PAIRING WITH TWO SMARTPHONES OR OTHER DEVICES

The headphones can support a multi-connection, called Multi-point. They can pair with two smartphones simultaneously and can take a call from either one.

- In pairing mode, press the MFB button to enable Multi-point. Press the MFB twice to disable Multi-point.
 - After pairing is complete with the first device, turn the headphones OFF. Then, repeat the pairing procedure with the second device
 - Once they're connected with the device, go back to the previous device to turn ON Bluetooth® and select HRC 5020 to connect to them
- The headphones will automatically connect to your device when switched ON, provided your device Bluetooth® is ON and within range.

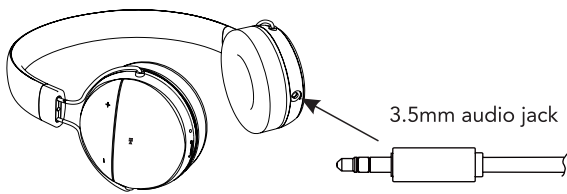
NOTE: When two smartphones have different operating systems, (e.g. one has Android™ and the other is iOS®) some cross-system operations (Pause songs in Android™ play songs on iOS®) may experience delays. Please be aware that this is normal.

USING YOUR HEADPHONES

1. For the best sound and comfort, the right fit is very important. Please adjust your headband to make sure the headphones fit snugly and securely.
2. Place your headphones on corresponding ear side (R on right ear and L on left ear).
3. To ensure your headphones stay in place while doing physical activity, make sure the cord is placed in front of your head and body.

3.5MM LINE-IN

Insert the supplied audio cable to the headphone socket and the 3.5mm audio jack into your audio device.



TO PLAY MUSIC FROM YOUR PC OR LAPTOP

After pairing the device to your PC or laptop, right-click on the speaker icon on the lower right hand corner of the task bar, select "Playback devices". Under the "Playback" tab, the paired device will show within the list. To connect it, click on the device to set it as the default device. The audio will start to play from the paired device.

PROTECTING YOUR HEADPHONES

- Keep your headphones clean and free of debris
- **DO NOT** tug on the cable to disconnect plug from device but rather pull from the plug to disconnect
- **DO NOT** wrap headphones around a device while it is still plugged in as it puts unnecessary pressure on plug/cord connection

SPECIFICATIONS

Bluetooth® version:	4.1
Bluetooth® profiles:	HFP/HSP/A2DP/AVRCP*
Talk time:	Approx. 10 hours**
Stand-by time:	Approx. 22 days**
Music play time:	Approx. 10 hours**
Wireless range:	10m (32 ft.)
Driver diameter:	40mm
Impedance:	32Ω
Sound pressure level:	108dB
Frequency response:	20Hz-20kHz
Battery:	200mAh Lithium-Ion
Recharging input:	DC 5V, 250mA

*HFP=Handsfree profile, HSP=Handset profile, A2DP=Advanced audio distribution profile, AVRCP=Audio video remote control profile.

**Approximate play back time, battery life depends on individual use and may be more or less than specified.

WARNING

- **DO NOT** insert plug into electric sockets
- Supervise children when using equipment, this product is not a toy
- Listening to headphones at high volume levels, particularly over extended periods of time may damage your hearing
- If you have a pacemaker or other electrical medical devices, you should consult your physician before using this product
- The operation of switching on your Hi-Fi system or plugging in the headphones may cause clicks which at high volume setting may affect your hearing. Therefore always set the volume control to minimum before switching between different sources (tuner, turntable, CD player, etc) or plugging in the headphones
- **DO NOT** use the headphones while driving or cycling

TROUBLESHOOTING

No sound

- Power ON the headphones and charge the battery
- Increase the volume on your headphones and Bluetooth® device
- Make sure you are using the correct paired device
- Move your Bluetooth® device closer to the headphones and away from any interference or obstructions
- Use a different music source
- Pair a different Bluetooth® device
- If two Bluetooth® devices are connected, pause the first device and play

the other device

- If two Bluetooth® devices are connected, move the devices within range of the headphones

Poor sound quality

- Use a different music source
- Pair a different Bluetooth® device
- Disconnect the second device
- Move the Bluetooth® device closer to the headphones, and away from any interference or obstructions

Headphones do not turn ON

- Power ON the headphones
- Charge the battery

Headphones do not pair with Bluetooth® device

- On your Bluetooth® device turn the Bluetooth® feature ON and then OFF. Delete HRC 5020 Headphones from the Bluetooth® list on your device. Pair again
- Move your Bluetooth® device closer to the headphones and away from any interference or obstructions

INDUSTRY CANADA NOTICE RSS247

This device complies with Industry Canada license-exempt RSS standard(s). Operation is subject to the following two conditions:
 (1) this device may not cause interference, and
 (2) this device must accept any interference, including interference that may cause undesired operation of the device.

This digital apparatus does not exceed the Class B limits for radio noise emissions from digital apparatus set out in the Radio Interference Regulations of Industry Canada.

IC Number: 255A-8073880

THE SOURCE - WARRANTY

The Source warrants that this product will be free from defects in materials and workmanship for a period of 12 months from the date of purchase. Within this period, simply take the product and your proof of purchase to any The Source store or participating dealer and the product will be replaced (where available) without charge. Any product which has been subject to misuse or accidental damage is excluded from this warranty. This warranty is only applicable to a product purchased through The Source company-owned stores or participating dealers in Canada where the warranty is included with the product. While this warranty does not confer any legal rights other than those set out above, you may have additional statutory rights which will vary under the laws of the various countries, states, provinces and other governmental entities in which The Source operates. This warranty is subject to all statutory rights you may have in Canada.

Imported by:
 The Source, Barrie, Ontario, Canada, L4M 4W5
 Manufactured in China
 www.thesource.ca
 © 2019 The Source. All rights reserved.

