



HEADRUSH®

BURST BOOMBOX WITH FM RADIO

HRSP 5022



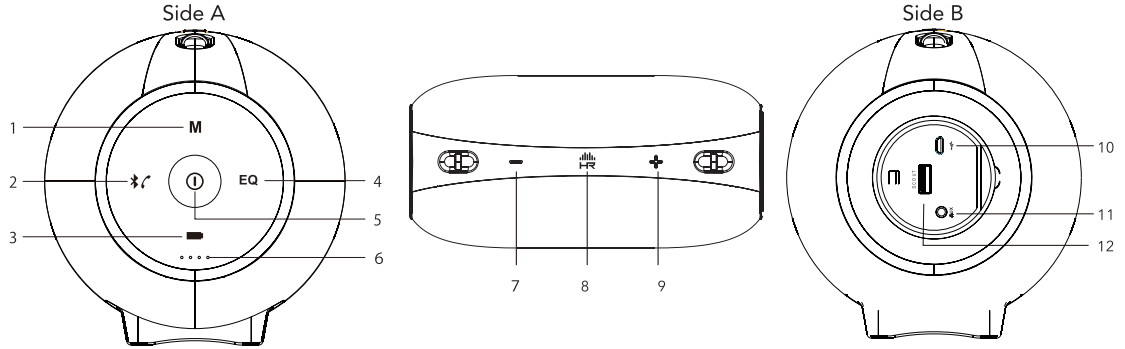
The Bluetooth® word mark and logos are registered trademarks owned by Bluetooth® SIG, Inc. and any use of such marks by The Source (Bell) Electronics Inc. is under license. Other trademarks and trade names are those of their respective owners.

WHAT'S INCLUDED:

- Speaker
- Micro USB cable
- 3.5mm audio cable
- Strap
- Instruction manual

COMPONENT IDENTIFICATION:

1. Mode Button
2. Bluetooth®
3. Power bank
4. EQ
5. Power ON/OFF
6. Battery LED
7. Previous track/Decrease volume
8. Play/Pause/Mute (Multi-function button-MFB)
9. Next track/Increase volume
10. Micro USB charging port
11. 3.5mm AUX in
12. DC out



PRODUCT OVERVIEW

You can use this item with any compatible, Bluetooth®-enabled device to stream music and enjoy hands-free calling. Please read this manual first before using.

FEATURES:

1. Bluetooth® 4.2
2. MAXX AUDIO DSP by Waves
3. Hands-free telephone calling
4. Operating distance up to 10m (30ft.)
5. Operation time up to 10 hours (half volume level)
6. AUX-in 3.5mm/microSD
7. FM Radio
8. Built-in EQ modes and power bank
9. Electronic beep prompt
10. IPX4

OPERATING INSTRUCTIONS

TO	DO THIS
Power ON	Press and hold the ⏻ button for 2 seconds.
Power OFF	Press and hold the ⏻ button for 2 seconds.
Play/Pause	Press the MFB once to pause. Press again to resume.
Increase volume	Press and hold the + button.
Next track	Press the + button.
Next FM channel	Press the + button while in FM mode.
Switch from speaker to device	During a call, press the + or - button to switch from speakerphone to your device.
Decrease volume	Press and hold the - button.
Previous track	Press the - button.
Previous FM channel	Press the - button while in FM mode.
Answer/end a call	Press the 📞 button.
Disconnect Bluetooth®/reject a call	Press and hold the 📞 button.
Adjust EQ modes	Press the EQ button to switch between Normal, Bass and Treble modes.
Auto-search FM stations	Press and hold the MFB for 3 seconds.
Reset default	Press and hold the MFB for 8 seconds.
Select input mode	Press the M button to switch between Bluetooth®, FM and AUX-in modes.

CHARGING

Use the included charging cable to fully charge the speaker before first use. It will take approximately 5 hours to fully charge. Excessive or prolonged charging can damage the battery's lifetime.

- When the battery is low, the speaker will beep and the LED will flash
- The orange LED will be ON while the speaker is charging

- The four LED lights will turn ON once charging is complete
- Unplug the speaker once it is fully charged

NOTE: Please charge the speaker immediately if the battery is low. If you don't use the speaker regularly, charge it at least once a month in order to prevent the Lithium battery from deteriorating. Using an adapter rated lower than 5V/2A will result in a slower charging speed. As a power-saving function, the speaker will power OFF after 10 minutes of being paused or attempting to pair.

POWER BANK

The speaker has a built-in 4400 mAh battery power bank. To charge your other devices with the power bank, please follow these steps.

1. Power OFF the speaker and connect your device to the speaker's USB charging port.
2. Press the **⏻** button on the speaker to begin charging the connected device.

NOTE: The speaker charges devices with a voltage at 5V, and an output current at 2.1A.

PAIRING

Ensure your Bluetooth® device is within 10m (30ft.) of the speaker.

1. Press and hold the power ON/OFF button to turn the speaker ON. Enter Bluetooth® mode by pressing "M". There will be one beep. The LED will flash blue. (Alternatively, you can press the **📞** button to enter into pairing mode.)
2. Turn the Bluetooth® ON in your device settings and select "HR BURST", enter password "0000" if required.
3. Once paired successfully, the speaker will beep and the LED will stop flashing blue.

NOTE: The next time you turn the speaker ON, it will connect automatically as long as the Bluetooth® function on your device is switched ON and is within range. If you haven't disconnected and cleared the Bluetooth® connection, press and hold the **📞** button to disconnect and clear the Bluetooth® connection. The device will disconnect and the speaker will beep once.

HANDS-FREE SPEAKERPHONE

When a smartphone is connected to your speaker, follow the steps below to take calls hands-free.

1. If there is an incoming call while streaming music, the music will pause and your ring tone will play.
2. Press the **📞** button to pick up the call.
3. Press and hold **📞** button to reject the call.
4. Press - or + to switch between speaker and smartphone.
3. Press the **📞** button again to hang up the call.
5. Press the **📞** button twice to redial.

UNDERSTANDING THE LED STATUS LIGHTS

- When charging your speaker, there are 4 LED lights on Side A that will light up from left to right
 - o First LED flashing orange=low battery
 - o LED 1 to LED 4, changes from flashing to solid sequentially=charging
 - o LED 1 to LED 4 all lit=charging complete

- **When pairing your speaker to a Bluetooth® device**
 - o Quick blinking blue LED=Bluetooth® not connected, ready to pair
 - o Solid blue LED=Bluetooth® connected

AUX IN

1. Use the supplied 3.5mm audio cable to connect the speaker directly with your device.
2. Once connected, press the M button to enter the AUX-in mode, the speaker will beep twice. Music from the connected device will play.
3. When the 3.5mm audio cable is unplugged, the speaker will return to the previous Bluetooth® connection.

NOTE: A 5V, 2A adaptor is recommended to charge the speaker while it is connected to a PC via AUX in. If you press the MFB while the speaker is in AUX-in mode, it will mute the music but the song will continue on your device.

FM RADIO

1. Press the M button to switch into FM mode. The speaker will beep three times.
2. Press and hold the MFB button to begin an automatic search for channels.
3. Press the +/- buttons to switch to next and previous channels.

TECHNICAL SPECIFICATIONS

Bluetooth® version:	Bluetooth® 4.2
Wireless range	Up to 10m (33ft.)
Charging time	5 hours
Playtime:	Approx. 10 hours (at half volume)**
Standby time:	Approx. 2 days**
Battery Capacity:	7.4V, 4400mAh
Frequency Response:	50Hz-20kHz
Power bank output:	2.1A
Output Power:	10W*2
Input	DC 5V, 2A

NOTE: This speaker is in compliance with the specified Bluetooth® version. It does not guarantee compatibility with all the functions on every Bluetooth®-enabled device. Please check your smartphone's user manual for compatibility and functionality.

TROUBLESHOOTING

Cannot power ON:

- Charge the speaker and make sure it has enough battery
- If the LED does not turn ON to indicate charging, use another Micro USB cable to attempt a charge

No Sound:

- Power ON the speaker and charge the battery
- Increase the volume on your speaker and Bluetooth® device
- Make sure you are using the correct paired device
- Check your Bluetooth® device's manual to make sure that your device is compatible with an A2DP audio transmission, and enable A2DP stereo mode
- Move your Bluetooth® device closer to the speaker and away from any interference or obstructions
- Turn OFF other Bluetooth® devices in the area
- Use a different music source

Distorted sound:

- Decrease the volume on your speaker and Bluetooth® device
- Move the device closer to the speaker
- Remove any obstacle between the device and the speaker

Cannot connect with Bluetooth® device:

- Check that the Bluetooth® device supports an A2DP profile
- Check that the device is within the 10m (33ft.) pairing distance of the speaker
- If the speaker is in pair mode, the LED will flash blue and you can attempt to connect to the device

WARNING: Changes or modifications to this unit not expressly approved by the party responsible for compliance could void the user's authority to operate the equipment.

Electrical products should not be disposed of with household waste. Please

recycle where facilities exist. Check with your local authority for recycling advice.

WARNINGS

- DO NOT immerse in water
- DO NOT expose to extreme temperatures
- DO NOT throw or drop the speaker
- DO NOT make unauthorized alterations to this product
- DO NOT use chemicals or detergents to clean the speaker
- Protect from excessive static electricity
- Handle with care

INDUSTRY CANADA NOTICE RSS 247

This device complies with Industry Canada license-exempt RSS standard(s). Operation is subject to the following two conditions:

- (1) this device may not cause interference, and
- (2) this device must accept any interference, including interference that may cause undesired operation of the device.

This digital apparatus does not exceed the Class B limits for radio noise emissions from digital apparatus set out in the Radio Interference Regulations of Industry Canada.

IC: 255A-8080303



THE SOURCE - WARRANTY

The Source warrants that this product will be free from defects in materials and workmanship for a period of 12 months from the date of purchase. Within this period, simply take the product and your proof of purchase to any The Source store or participating dealer and the product will be replaced (where available) without charge. Any product which has been subject to misuse or accidental damage is excluded from this warranty.

This warranty is only applicable to a product purchased through The Source company-owned stores or participating dealers in Canada where the warranty is included with the product. While this warranty does not confer any legal rights other than those set out above, you may have additional statutory rights which will vary under the laws of the various countries, states, provinces and other governmental entities in which The Source operates. This warranty is subject to all statutory rights you may have in Canada.

Imported by:
The Source, Barrie, Ontario, Canada, L4M 4W5
Manufactured in China
www.thesource.ca
© 2019 The Source. All rights reserved.

