



HEADRUSH®

# LARGE CANNISTER SPEAKER

CAPSULE IPX6  
HRSP 5020



The Bluetooth® word mark and logos are registered trademarks owned by Bluetooth® SIG, Inc. and any use of such marks by The Source (Bell) Electronics Inc. is under license. Other trademarks and trade names are those of their respective owners.

## WHAT'S INCLUDED:

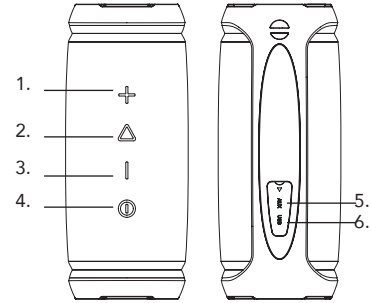
- Speaker
- Micro USB cable
- 3.5mm audio cable
- Instruction Manual
- Carry strap

## FEATURES:

1. Bluetooth® 4.2
2. Hands-free telephone calling
3. True Wireless Stereo (TWS) pairing
4. Bluetooth® operating distance up to 10m (33ft.)
5. TWS pairing distance up to 8m (26ft.)
6. Playtime up to 6-8 hours (varies by volume level and content)
7. Battery charge time between 2.5-3 hours
8. Water-resitant rating IPX6

## COMPONENT IDENTIFICATION:

1. Next track/Increase volume
2. Δ Play/Pause
3. Previous track/Decrease volume
4. Ⓞ Power ON/OFF
5. AUX-IN port (3.5mm)
6. Micro USB charging port



## PRODUCT OVERVIEW

You can use this item with any compatible, Bluetooth®-enabled device to stream music and enjoy hands-free calling. Please read this manual first before using. This unit has IPX6 rating: Protected against heavy seas – Water projected at all angles through a 12.5mm nozzle at a flow rate of 100 litres/minute at a pressure of 100kN/m2 for 3 minutes from a distance of 3 metres/10 feet. DO NOT submerge in water.

## OPERATING INSTRUCTIONS

TO	DO THIS
Power ON	Press and hold the Ⓞ button. You will hear an ascending tone and the LED will turn ON.
Power OFF	Press and hold the Ⓞ button. You will hear a descending tone and the LED will turn OFF.
Adjust the volume	Press the +/- buttons.
Play/Pause	Press the Δ button once to pause. Press again to resume.
Next track	Press and hold the + button.
Previous track	Press and hold the - button.
Bluetooth® mode/AUX-in mode	Press the Ⓞ button.
Answer a call	Press the Δ button.
Reject a call	Press and hold the Δ button.
End a call	Press the Δ button.
Redial last-called number	Press and hold the Δ button.

## CHARGING

Use the included micro USB charging cable to fully charge the speaker before first use. It will take approximately 2.5-3 hours to fully charge. The micro USB cable can be plugged in to a computer or with a USB AC adapter (not included).

- The LED will flash red and the speaker will beep once every 40 seconds when the battery falls below 10%
- The LED will turn solid red while the speaker is charging
- The LED will turn solid green once charging is complete
- Unplug the speaker once it is fully charged
- If the battery falls below 3%, the speaker automatically powers OFF

## PAIRING

Make sure that the speaker is within 10m (33ft.) of your device.

1. Press and hold the Ⓞ button until you hear an ascending tone, and the LED will begin flashing blue.
2. Turn the Bluetooth® ON in your device settings and select "HR CAPSULE".
3. Once paired successfully, the LED will turn solid blue.
4. To disconnect from a paired device, press and hold the +/- buttons simultaneously until you hear a tone. The LED will quickly flash blue, signalling it is ready to be paired with a new Bluetooth® device.

**NOTE:** The next time you turn the speaker ON, it will connect automatically as long as the Bluetooth® on your device is switched ON and is within range. If no device is paired within 10 minutes, the speaker's Bluetooth® pairing will turn OFF to conserve energy.

## HANDS-FREE SPEAKERPHONE

When a smartphone is connected to your speaker, follow the steps below to take calls hands-free.

1. If there is an incoming call while streaming music, you will hear the phone ring through the speaker.
2. Press the Δ button to pick up the call.
3. Press the Δ button again to hang up the call.

## AUX-IN MODE

1. Power ON the speaker.
2. Using the AUX cable (3.5mm), connect your external device to the speaker's AUX-IN port.
3. Automatically switches to AUX-IN mode, and the LED turns solid green.

**NOTE:** In AUX-IN mode, the functions for skipping songs and answering calls on speakerphone are disabled.

## TRUE WIRELESS STEREO (TWS) FUNCTION

Connect two large cannister speakers via Bluetooth® for a True Wireless Stereo experience.

1. Turn both speakers ON and place them within 8m (26ft.) of each other.
2. On one of the speakers, double press the Ⓞ button for 2 seconds until the LED flashes blue and green. It is now in a stereo-pairing mode.
3. After 3-5 seconds, if the speakers successfully pair, the primary speaker's LED will flash blue and the secondary speaker's LED will turn solid blue.
4. To disconnect, press and hold the +/- buttons simultaneously until the LED flashes blue.

**NOTE:** In TWS mode, calls can only be answered through the primary speaker.

## UNDERSTANDING THE LED STATUS LIGHTS

- **When your speaker's battery is low**
  - o LED flashing red=battery below 10%
- **When charging your speaker**
  - o Solid red LED=charging
  - o Solid green LED=charging complete
- **When pairing your speaker to a Bluetooth® device**
  - o Quick-blinking blue LED=Bluetooth® not connected, ready to pair
  - o Solid blue LED=Bluetooth® connected
- **When pairing your speaker to a Bluetooth® device in TWS mode**
  - o LED flashing blue and green=Searching for TWS pairing
  - o LED flashing blue on the main speaker, and solid blue LED on the secondary speaker=TWS connected, Bluetooth® waiting for pairing
- **When connecting via AUX IN**
  - o Solid green LED=connected

## TECHNICAL SPECIFICATIONS

Bluetooth® version:	Bluetooth® 4.2
Bluetooth® profiles:	HFPV1.5/A2DPV1.2/AVRCPV1.4/ GAVDPV1.2/AVDTPV1.2/SPPV1.2/ AVCTPV1.2
Wireless range:	10m (33ft.)
Output power:	2 x 12.5W
Playtime:	Approx. 6-8 hours
Battery type:	Lithium-Ion (7.2V/2000mAh)
DC input voltage/current:	Micro USB DC 5V/0.5A-2A
Battery charge time:	Approx. 2.5-3 hours
Signal-to-noise ratio:	>70dB
Frequency response:	80Hz-16kHz
Impedance:	4Ω, 15W (2 x 48mm)
Dimensions:	186.6 x 78 x 78 mm
Weight:	620g+5g

**NOTE:** This speaker is in compliance with the specified Bluetooth® version. It does not guarantee compatibility with all the functions on every Bluetooth®-enabled device. Please check your smartphone's user manual for compatibility and functionality.

## TROUBLESHOOTING

Cannot power on:

- Charge the speaker and make sure it has enough battery
- If the LED does not turn on to indicate charging, use another micro USB cable to attempt a charge

No sound:

- Power ON the speaker and charge the battery
- Increase the volume on your speaker and Bluetooth® device
- Make sure you are using the correct paired device and that it has successfully paired with the speaker
- Move your Bluetooth® device closer to the speaker and away from any interference or obstructions
- Use a different music source

Distorted sound:

- Decrease the volume on your speaker and Bluetooth® device
- Move the device closer to the speaker
- Remove any obstacle between the device and the speaker

Cannot connect with Bluetooth® device:

- Check that the Bluetooth® device supports an A2DP profile
- Check that the device is within 10m (33ft.) of the speaker
- If the speaker is in pair mode, the LED will blink blue and you can attempt to connect to the device

TWS not working:

- In AUX-IN mode, reconnect the TWS function by restarting the setup process

**WARNING:** Changes or modifications to this unit not expressly approved by the party responsible for compliance could void the user's authority to operate the equipment.



Electrical products should not be disposed of with household waste. Please recycle where facilities exist. Check with your local authority for recycling advice.

## WARNINGS

- DO NOT immerse in water
- DO NOT use this speaker at a high volume for extended periods, as this may cause permanent hearing damage or loss
- DO NOT drop or kick the speaker on hard surfaces
- DO NOT use chemicals or detergents to clean the speaker
- DO NOT scrape the surface with sharp objects
- DO NOT make unauthorized alterations to this product
- Protect from excessive static electricity
- CHOKING HAZARD—keep out of reach from children
- Keep the speaker away from fire, liquids, extreme temperatures and strong magnetic fields
- Handle with care

## RSS 247

This device complies contains licence-exempt transmitter/receiver that comply with Innovation Science and Economic Development Canada's licence-exempt RSS(s). Operation is subject to the following two conditions:  
(1) This device may not cause interference; and  
(2) This device must accept any interference, including interference that may cause undesired operation of the device.

**IC: 255A-8080297**



## THE SOURCE - WARRANTY

The Source warrants that this product will be free from defects in materials and workmanship for a period of 12 months from the date of purchase. Within this period, simply take the product and your proof of purchase to any The Source store or participating dealer and the product will be replaced (where available) without charge. Any product which has been subject to misuse or accidental damage is excluded from this warranty.

This warranty is only applicable to a product purchased through The Source company-owned stores or participating dealers in Canada where the warranty is included with the product. While this warranty does not confer any legal rights other than those set out above, you may have additional statutory rights which will vary under the laws of the various countries, states, provinces and other governmental entities in which The Source operates. This warranty is subject to all statutory rights you may have in Canada.

Imported by:  
The Source, Barrie, Ontario, Canada, L4M 4W5  
Manufactured in China  
www.thesource.ca  
© 2019 The Source. All rights reserved.

