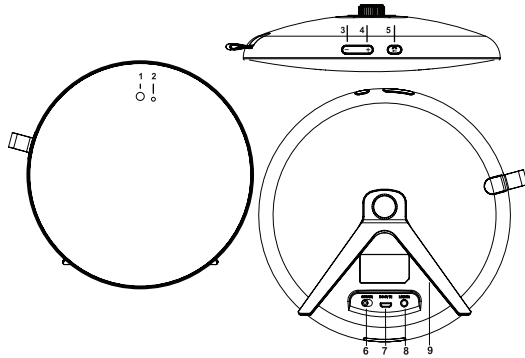


## INCLUDED

- Speaker
- Micro USB cable
- 3.5mm audio cable
- Instruction manual



- |                                       |                            |
|---------------------------------------|----------------------------|
| 1. LED indicator                      | 5. Play/Pause/Hands-free   |
| 2. Microphone                         | 6. ON/OFF switch           |
| 3. Decrease volume/<br>Previous track | 7. Micro USB charging port |
| 4. Increase volume /Next track        | 8. AUX-in                  |
|                                       | 9. Stand                   |

## PRODUCT OVERVIEW

You can use this item with any compatible, Bluetooth®-enabled device to stream music and enjoy hands-free calling. Please read this manual first before using.

## GETTING STARTED

### OPERATING INSTRUCTIONS

- Power ON/OFF by sliding the switch
- Adjust the volume by pressing either + or -
- Press **⏸** once to pause, and press again to resume
- To choose the next or previous track, press and hold either + or -
- Disconnect from Bluetooth® by pressing and holding **⏸** for 2 seconds
- Answer or end a call by pressing **☎**

## CHARGING

Charge the speaker with the included micro USB cable before first use. It will take approximately 3 hours to fully charge.

- The speaker will beep twice at regular intervals when the battery is low
- Connect the micro USB cable to your speaker's rear micro USB port
- Connect to your computer or another USB charging device
- The LED will turn solid red while the speaker is charging
- The LED will turn OFF once charging is complete
- Unplug and remove the micro USB cable once the speaker is fully charged

## PAIRING

Make sure that the speaker is within 9m (30ft.) of your Bluetooth® device.

1. Turn the speaker ON. It will automatically enter Bluetooth®-pairing mode. The LED will flash blue.
2. Turn the Bluetooth® ON in your device settings and select "Eclipse Spk". If it prompts you for a password, enter "0000".
3. Once paired successfully, you will hear a beep and the LED will flash blue at slow, regular intervals.
4. To disconnect from a paired device, press and hold the **⏸** button for 2 seconds.

**NOTE:** The next time you turn the speaker ON, it will automatically connect as long as the Bluetooth® function on your device is switched ON and is within range. Speaker will automatically disconnect after 30 minutes if no signal is received.

## HANDS-FREE SPEAKERPHONE

When a smartphone is connected to your speaker, follow the steps below to take calls hands-free.

1. If there is an incoming call while streaming music, the speaker will ring to notify you about the call.
2. Press the **☎** button to pick up the call.
3. Press the **☎** button again to hang up the call.

## AUX-IN MODE

1. Power ON the speaker.
2. Use the included 3.5mm audio cable, connect your external device to the speaker's AUX-in port.
3. Automatically switches to AUX-in mode, and the blue LED will turn ON.
4. Adjust the volume of the music by pressing the speaker's +/- as desired.
5. Press the **⏸** button to mute, press again to unmute.

## UNDERSTANDING THE STATUS LIGHTS

- **When charging your speaker**
  - Solid red light=charging
  - Light turns off=charging complete
- **When pairing your speaker to a Bluetooth® device**
  - Quick-flashing blue light=Bluetooth® not connected, ready to pair
  - Slow-flashing blue light=Bluetooth® connected
- **When connecting via AUX in**
  - Solid blue light=connected

## TECHNICAL SPECIFICATIONS

Bluetooth® version:	4.1+EDR
Bluetooth® profiles:	A2DP/AVRCP/HSP/HFP*
Wireless range:	Up to 9m (30ft.)
Playtime:	Approx. 7 hours
Battery type:	Rechargeable Lithium (3.7V/1200mAh)
DC input voltage/current:	5V/500mA
Battery charge time:	3 hours
Output power:	4Wx2
Frequency Range:	80Hz-20kHz
Impedance:	4Ω

**NOTE:** This speaker is in compliance with the specified Bluetooth® version. It does not guarantee compatibility with all the functions on every Bluetooth®-enabled device. Please check your smartphone's user manual for compatibility and functionality.

\*A2DP=Advanced Audio Distribution Profile, AVRCP=Audio Video Remote Control Profile

## TROUBLESHOOTING

No power

- Power ON the speaker and charge the battery

No sound

- Increase the volume on your speaker and Bluetooth® device
- Ensure the connected device is playing audio

Poor sound quality

- Turn down the volume of the speaker and/or the connected device

Speaker will not pair with Bluetooth® device

- Ensure Bluetooth® is ON and within range
- Move your device and/or the speaker away from electromagnetic interference

## VENTILATION

- Clear a 10cm radius of space around the speaker
- Ventilation openings should not be impeded by anything, such as newspapers, cloth, curtains, etc.

## CLEANING AND MAINTENANCE

- Clean with a soft, damp cloth and wipe with a dry cloth
- Never immerse in water
- DO NOT use abrasive or chemical cleaning agents
- Store in a cool, dry place, away from dust and dirt

## BATTERY HANDLING AND USAGE

- This speaker's rechargeable Lithium 3.7V, 1200mAh battery is incorporated into the speaker's design and cannot be accessed or replaced
- When the speaker reaches its end of life, it must be disposed of at a recycling centre
- DO NOT expose battery to excessive heat, such as direct sunlight, fire, etc.

**CAUTION:** Danger of explosion if battery is incorrectly replaced.

**WARNING:** Changes or modifications to this unit not expressly approved by the party responsible for compliance could void the user's authority to operate the equipment.

This speaker is intended for domestic household use only, and should not be used for any other purpose or in any other application, such as non-domestic use or in a commercial environment.



Electrical products should not be disposed of with household waste. Please recycle where facilities exist. Check with your local authority for recycling advice.

#### WARNINGS

- **DO NOT** immerse in water
- **DO NOT** expose to extreme temperatures or high humidity
- **DO NOT** use chemicals or detergents to clean the speaker
- **DO NOT** make unauthorized alterations to this product, including disassembly, modifications or repairs
- **DO NOT** place any flame or water sources near or on the speaker, including candle flame or flower vases
- Protect from excessive static electricity
- This speaker is not suitable for use in a tropical climate
- Only use attachments/accessories recommended by the manufacturer
- Keep the speaker away from fire, liquids, extreme temperatures and strong magnetic fields
- Store the speaker away from dust and dirt
- Handle with care

We apologize for any inconvenience caused by minor inconsistencies in these instructions, which may occur as a result of product improvement and development.

#### INDUSTRY CANADA NOTICE RSS 247

This device complies with Industry Canada license-exempt RSS standard(s).

Operation is subject to the following two conditions:

- (1) this device may not cause interference, and
- (2) this device must accept any interference, including interference that may cause undesired operation of the device.

This digital apparatus does not exceed the Class B limits for radio-noise emissions from digital apparatus set out in the Radio Interference Regulations of Industry Canada.

**IC: 255A-8080295**



#### THE SOURCE - WARRANTY

The Source warrants that this product will be free from defects in materials and workmanship for a period of 6 months from the date of purchase. Within this period, simply take the product and your proof of purchase to any The Source store or participating dealer and the product will be replaced (where available) without charge. Any product which has been subject to misuse or accidental damage is excluded from this warranty. This warranty is only applicable to a product purchased through The Source company-owned stores or participating dealers in Canada where the warranty is included with the product. While this warranty does not confer any legal rights other than those set out above, you may have additional statutory rights which will vary under the laws of the various countries, states, provinces and other governmental entities in which The Source operates. This warranty is subject to all statutory rights you may have in Canada.

Imported by:  
The Source, Barrie, Ontario, Canada, L4M 4W5  
Manufactured in China  
www.thesource.ca  
© 2019 The Source. All rights reserved.

