



HEADRUSH®

WIRELESS SPEAKER

HEADRUSH HALO WATERPROOF SPEAKER
HRSP 3000/B/P



The Bluetooth® word mark and logos are registered trademarks owned by Bluetooth® SIG, Inc. and any use of such marks by The Source (Bell) Electronics Inc. is under license. Other trademarks and trade names are those of their respective owners.

WHAT'S INCLUDED:

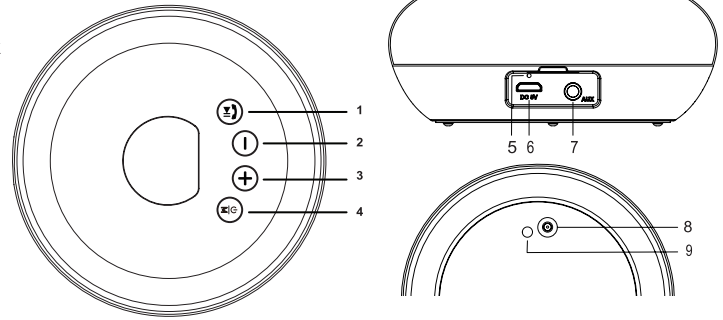
- Speaker
- Micro USB cable
- 3.5mm audio cable
- Instruction Manual

FEATURES:

- Bluetooth® 5.0 +EDR (Enhanced Data Rate)
- TWS (True Wireless Stereo)
- Handsfree telephone calling
- Operating distance up to 9.1m (30')
- Operation time up to 10 hours at 50% volume
- Fabric acoustic skin
- IPX7 water-resistant feature

COMPONENT IDENTIFICATION:

1. Play/Pause/Handsfree
2. Volume down/Previous track
3. Volume up/Next track
4. Power ON/OFF/Mode
5. Charging LED
6. Charging port
7. AUX input
8. Microphone
9. Function LED



PRODUCT OVERVIEW

You can use this item with any compatible, Bluetooth®-enabled device to stream music and enjoy handsfree calling. In order to get the best results when using this device, please read this manual first before using. This unit has IPX7 rating: Protected against water immersion for 30 minutes at a depth of one metre.

NOTE: IPX7 rating is contingent the silicone cover located on the side of the product being closed.

CHARGING

Use the included charging cable to fully charge the speaker before first use. It will take approximately 1.5 hours to fully charge.

- The red LED will be ON while the speaker is charging
- The red LED will turn OFF once charging is complete
- When the battery is low the speaker will beep every 10 seconds
- Unplug the speaker once it is fully charged

PAIRING

1. Press and hold the power ON/OFF button to turn the speaker ON. The speaker will beep.
2. Turn the Bluetooth® ON in your device settings and select "HR HALO", enter password "0000" if prompted.
3. Once paired successfully, the speaker will beep once.
4. If you fail to pair your device or you want to pair it with a new device please repeat the steps outlined above.

NOTE: The next time you turn the speaker ON, it will connect automatically as long as the Bluetooth® function on your device is switched ON and is within range. If no device is paired within 30 minutes the speaker will turn OFF.

TWS (TRUE WIRELESS STEREO) CONNECTION

Two HR Halo speakers can be synced and connected through TWS to build a left and right stereo sound system for surround sound. To connect:

1. Press and hold the Power ON/OFF button on each speaker to turn both ON.
2. Press the ON/OFF button on both speakers twice quickly to enter TWS mode, you will hear a beep when the two speakers are paired (approximately 10 seconds.)
3. Once the second speaker is paired, the white LED on the main speaker will be ON, the white LED on the second speaker will flash.
4. Turn Bluetooth® ON in your device settings and select "HR HALO".
5. Stream music from your audio device, and both speakers will work as a surround sound stereo experience.

NOTE: Once paired, the two speakers will automatically pair each time they are turned ON, Should you wish to unpair them, press the power button on either speaker twice. The speaker will beep and both LEDs will flash indicating that the speakers are no longer paired.

HANDSFREE SPEAKERPHONE

When a smartphone is connected to your speaker follow the steps below to take calls handsfree.

1. If there is an incoming call while streaming music will stop and your phone will ring through the speaker.
2. Press the 1 button to pick up the call.
3. Press the 2 button again to hang up the call.

UNDERSTANDING THE LED STATUS LIGHTS

- **When charging your speaker**
 - o Solid red LED=charging
 - o Red LED OFF=charging complete
- **When pairing your speaker to a Bluetooth® device**
 - o Quick blinking white LED=Bluetooth® not connected, ready to pair
 - o White LED blinking slowly=Bluetooth® connected
- **When pairing your speaker to a Bluetooth® device in TWS mode**
 - o LED flashing slowly=Bluetooth® not connected
 - o LED flashing every few seconds=Bluetooth® connected

TECHNICAL SPECIFICATIONS

- Bluetooth® version: Bluetooth® 5.0+EDR
- Bluetooth® profiles: A2DP/AVRCP/HSP/HFP*
- Battery Capacity: 3.7V, 500mAh
- Frequency Response: 80Hz-20kHz
- Operation Distance: Up to 9.1m (30')
- Output Power: 3W
- Impedance: 4Ω

*HFP=Handsfree profile, HSP=Handset profile, A2DP=Advanced audio distribution profile, AVRCP=Audio/video remote control profile.

NOTE: This speaker is in compliance with the specified Bluetooth® version. It does not guarantee compatibility with all the functions on every Bluetooth® enabled device. Please check your smartphone's user manual for compatibility and functionality.

TROUBLESHOOTING

No Sound:

- Power ON the speaker and charge the battery
- Increase the volume on your speaker and Bluetooth® device
- Make sure you are using the correct paired device
- Move your Bluetooth® device closer to the speaker and away from any interference or obstructions

Use a different music source

Distorted sound:

- Decrease the volume on your speaker and Bluetooth® device

TWS not working:

- Reconnect the TWS function by restarting the setup process

WARNING: Changes or modifications to this unit not expressly approved by the party responsible for compliance could void the user's authority to operate the equipment.

Electrical products should not be disposed of with household waste. Please recycle where facilities exist. Check with your local authority for recycling advice.



WARNINGS

- DO NOT immerse in water
- Ensure silicone cover is firmly closed prior to any exposure to water to avoid damage to the speaker
- DO NOT expose to extreme temperatures
- Protect from excessive static electricity
- Handle with care

INDUSTRY CANADA NOTICE RSS 247

This device contains licence-exempt transmitter(s)/receiver(s) that comply

with Innovation, Science and Economic Development Canada's licence-exempt RSS(s). Operation is subject to the following two conditions: (1) This device may not cause interference. (2) This device must accept any interference, including interference that may cause undesired operation of the device.

IC: 255A-8080292



THE SOURCE - WARRANTY

The Source warrants that this product will be free from defects in materials and workmanship for a period of twelve (12) months from the date of purchase. Within this period, simply take the product and your proof of purchase to any The Source store or participating dealer and the product will be replaced (where available) without charge. Any product which has been subject to misuse or accidental damage is excluded from this warranty.

This warranty is only applicable to a product purchased through The Source company-owned stores or participating dealers in Canada where the warranty is included with the product. While this warranty does not confer any legal rights other than those set out above, you may have additional statutory rights which will vary under the laws of the various countries, states, provinces and other governmental entities in which The Source operates. This warranty is subject to all statutory rights you may have in Canada.

Imported by:
The Source, Barrie, Ontario, Canada, L4M 4W5
Manufactured in China
www.thesource.ca
© 2019 The Source. All rights reserved.

