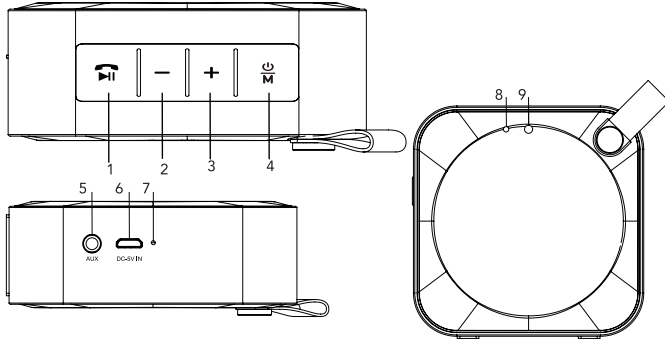


INCLUDED

- Rechargeable speaker
- Micro USB charging cable
- 3.5mm audio cable
- Instruction Manual



COMPONENT IDENTIFICATION:

1. Play/Pause/Handsfree
2. Volume down
3. Volume up
4. Power ON/OFF/Mode
5. 3.5mm AUX input
6. Micro USB charging port
7. Charging LED
8. Microphone
9. LED

FEATURES:

1. Bluetooth® 5.0 +EDR (Enhanced Data Rate)
2. TWS (True Wireless Stereo)
3. Handsfree telephone calling
5. Operating distance up to 9.1m (30')
6. Operation time up to 8 hours (medium volume level)
7. Battery recharges in approx. 1.5 hours
8. 3.5mm line-in
9. Fabric acoustic skin

OPERATING INSTRUCTIONS

CHARGING

Use the included USB charging cable to fully charge the speaker before first use. It will take approximately 1.5 hours to fully charge. Charging will take longer if you play music while you charge the speaker.

- The red LED will be ON while the speaker is charging
- The red LED will turn OFF once charging is complete
- The speaker will beep every 30 seconds if the battery is low
- Connect the USB charging cable to the speaker's DC 5V port on the speaker's side, and plug the cable into any USB-compatible charger
- Unplug the speaker once it is fully charged

PAIRING

When pairing a Bluetooth® device, make sure the audio device is within 9.1m (30') of the speaker. Different environments may affect the working distance.

1. Press and hold the power ON/OFF button to turn the speaker ON. The white LED will blink.
2. Turn the Bluetooth® ON in your device settings, and select "Square Spk". If your device requires a password, enter "0000".
3. Once paired successfully, the LED will slowly blink white.
4. Adjust the volume on your audio device to your desired level.
5. Make further adjustments to the volume by pressing +/- on the speaker.
6. Play the next or previous song by holding down the +/- buttons.
7. Press the (⏸) button to pause and play the music.

8. If you fail to pair your device, or you want to pair it with a new device, please repeat the steps outlined above.

NOTE: The next time you turn the speaker ON, it will connect automatically as long as the Bluetooth® function on your device is switched ON and is within range. When you disconnect the speaker while paired the white LED will blink quickly and the speaker will enter into pairing mode. If no device is paired within 30 minutes, and no music is played, the speaker will turn OFF.

IMPORTANT: This speaker is compatible with select Bluetooth® audio profiles, including HFP, A2DP and AVRCP. Please refer to your Bluetooth® device's manual/technical support to determine your device's compatibility.

TWS (TRUE WIRELESS STEREO) CONNECTION

Two Mini Squared speakers can be synced and connected through TWS to build a left and right stereo sound system for surround sound. To connect:

1. Press and hold the Power ON/OFF button on each speaker to turn both ON.
2. Press (⏸) twice quickly on your primary speaker to enter TWS mode, you will hear a beep when the two speakers are paired (approximately 10 seconds.)
3. Once the second speaker is paired, the white LED on the primary speaker will be ON, the white LED on the secondary speaker will flash.
4. Turn the Bluetooth® ON for your audio device and connect to the primary speaker.
5. Stream music from your audio device, and both speakers will work as a surround sound stereo experience.

NOTE: Once paired, the two speakers will automatically pair each time they are turned ON, Should you wish to unpair them, press the power button on either speaker twice. The speaker will beep and both LEDs will flash indicating that the speakers are no longer paired.

HANDSFREE SPEAKERPHONE

When a smartphone is connected to your speaker, follow the steps below to take calls handsfree. To pair your device, please refer to the PAIRING section.

1. If there is an incoming call while streaming music the speaker will pause music and play your ringtone to notify you about the call.
2. Press the (📞) button to pick up the call.
3. Press the (📞) button again to hang up the call.

NOTE: The microphone is located on the speaker's front, top right corner.

AUX IN

1. Use the supplied 3.5mm audio cable to connect the speaker directly with your device.
2. The white LED will remain solid.
3. Adjust the volume on your audio device to your desired level.
4. Make further adjustments to the volume by pressing +/- on the speaker.
5. Press the (🔇) button to mute the system's audio.
6. When the 3.5mm audio cable is unplugged, the speaker will return to the previous Bluetooth® connection.

UNDERSTANDING THE LED STATUS LIGHTS

- **When charging your speaker**
 - o Solid red LED=charging
 - o Red LED OFF=charging complete
- **When pairing your speaker to a Bluetooth® device**
 - o Quick blinking white LED=Bluetooth® not connected, ready to pair
 - o White LED blinking slowly=Bluetooth® connected
- **When pairing your speaker to a Bluetooth® device in TWS mode (only the master device can be paired)**
 - o LED flashing slowly=Bluetooth® not connected
 - o LED flashing ever few seconds=Bluetooth® connected
- **When connected via line-in**
 - o Solid white LED=connected

- **When muted/paused**

- o Slowly blinking white LED=muted

SPECIFICATIONS

Bluetooth® Version:	Bluetooth® 5.0+EDR
Bluetooth® Profiles:	A2DP/AVRCP/HFP*
Battery Capacity :	3.7V, 500mAh
Frequency Response:	80Hz-20kHz
Operation Distance:	Up to 9.1m (30')
Output Power:	3W (max)
Impedance:	3Ω

NOTE: This speaker is in compliance with the specified Bluetooth® version. It does not guarantee compatibility with all the functions on every Bluetooth® enabled device. Please check your smartphone's user manual for compatibility and functionality.

TROUBLESHOOTING

No power

- Power ON the speaker and charge the battery

No sound

- Increase the volume on your speaker and Bluetooth® device
- Ensure the connected device is playing audio

Poor sound quality

- Turn down the volume of the speaker and/or the connected device

Speaker will not pair with Bluetooth® device

- Ensure Bluetooth® is ON and within range
- Move your device and/or the speaker away from electromagnetic interference

WARNING: Changes or modifications to this unit not expressly approved by the party responsible for compliance could void the user's authority to operate the equipment.

Electrical products should not be disposed of with household waste. Please recycle where facilities exist. Check with your local authority for recycling advice.

When electrostatic discharge occurs, this product may malfunction. To restore the function, restart or reset the speaker for recovery.

WARNINGS

Follow these precautions to prevent the battery from leaking, overheating or catching on fire.

- **DO NOT** immerse in any kind of water
- **DO NOT** expose to extreme temperatures, including direct sunlight
- **DO NOT** use this speaker at a high volume for extended periods, as this may cause permanent hearing damage or loss
- **DO NOT** strike or throw the product
- **DO NOT** use chemicals or detergents to clean the speaker
- **DO NOT** scrape the surface with sharp objects
- **DO NOT** make unauthorized alterations to this product
- Protect from excessive static electricity
- Keep the speaker away from fire, liquids, extreme temperatures and strong magnetic fields
- Store batteries at room temperature and charge them to about 30-50%
- Handle with care
- Please follow the Waste Battery Recycling guidelines to dispose of the speaker

RSS 247

This device complies contains licence-exempt transmitter/receiver that comply with Innovation Science and Economic Development Canada's licence-exempt RSS(s). Operation is subject to the following two conditions:

- (1) This device may not cause interference; and
- (2) This device must accept any interference, including interference that may cause undesired operation of the device.

IC: 255A-8080288

 **THE SOURCE - WARRANTY**

The Source warrants that this product will be free from defects in materials and workmanship for a period of twelve (12) months from the date of purchase. Within this period, simply take the product and your proof of purchase to any The Source store or participating dealer and the product will be replaced (where available) without charge. Any product which has been subject to misuse or accidental damage is excluded from this warranty.

This warranty is only applicable to a product purchased through The Source company-owned stores or participating dealers in Canada where the warranty is included with the product. While this warranty does not confer any legal rights other than those set out above, you may have additional statutory rights which will vary under the laws of the various countries, states, provinces and other governmental entities in which The Source operates. This warranty is subject to all statutory rights you may have in Canada.

Imported by:
The Source, Barrie, Ontario, Canada, L4M 4W5
Manufactured in China
www.thesource.ca
© 2019 The Source. All rights reserved.

