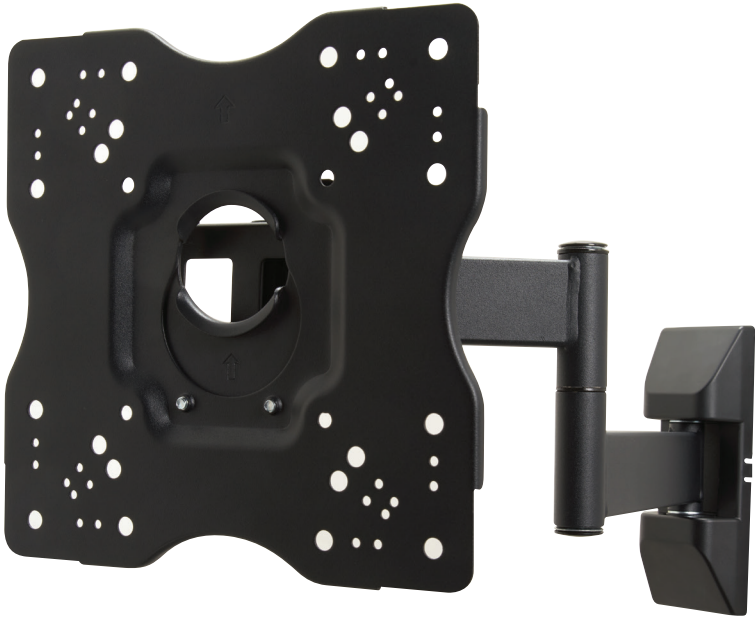


VITAL™ 17-42" FULL-MOTION TV MOUNT

Instruction Manual

8078216



CAUTION

This product was designed to be installed on wood stud walls and solid concrete walls. Before installing make sure the supporting surface will support the combined load of the equipment and hardware. Never exceed the Maximum Load Capacity. This product is intended for indoor use only. Use of this product outdoors could lead to product failure or personal injury.

WARNINGS

- Please read these instructions before you begin. If you are unsure of any part of the installation process, contact a professional contractor or installer for assistance
- The wall or mounting surface **MUST** be capable of supporting the combined weight of the mount and the TV. If not, the structure **MUST** be reinforced
- Before drilling, locate pipes, wires or any other hazards in the wall where you want to install the mount
- Safety gear and the proper tools **MUST** be used. Failure to do so may result in injury or damage
- Two people recommended for installation. **DO NOT** attempt to lift a heavy TV without assistance
- Follow all instructions and recommendations regarding adequate ventilation and suitable locations for mounting your TV. Consult your television's owner's manual for more information
- The wall mount is intended for use only with the maximum weight of 25kg (55lbs). Use with weights heavier than 25kg (55lbs) may result in instability causing possible injury

TOOLS REQUIRED

- Phillips head screwdriver
- Electric or portable drill
- 3/16" drill bit and stud finder (for drywall installation)
- 3/8" masonry bit (for concrete installation)
- Tape measure
- Level
- Pencil

WHAT'S INCLUDED

- 1 wall plate
- 2 mount arms
- 1 hardware kit
- 1 instruction manual

SPECIFICATIONS:

TV Size Range:	17-42"
Maximum Loading Capacity:	25kg (55lbs)
Vesa Mounting Pattern:	
Min:	100mm x 100mm (3.93 x 3.93 in)
Max:	200 x 200 mm (7.87 x 7.87 in)
Tilt Range:	5° up to 15° down
Pan/Swivel Range:	Up to 180°
Profile:	6.6-44.5 cm (2.6-17.6 in)

HARDWARE KIT:

(A) Lag bolt (x3)



(B) Concrete anchor (x3)



(C) M4 x 12 Screw (x4)



(D) M4 x 20 Screw (x4)



(E) M6 x 12 Screw (x4)



(F) M6 x 30 Screw (x4)



(G) M6 Washer (x4)



(H) M5 x 12 Screw (x4)



(I) M5 x 30 Screw (x4)



(J) Spacer (x4)



(K) Cable management



(L) S4 Allen Key



PREPARATION

Prepare the mount for installation by removing the safety screws to detach the display plate from the mount (see Fig. 1). Place the screws in a safe location.

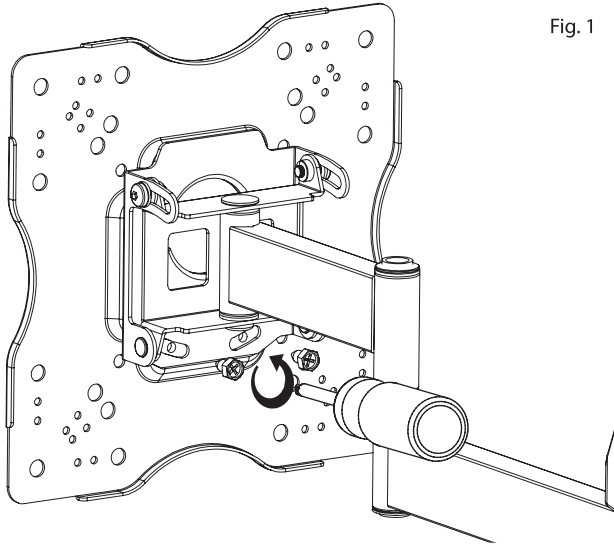


Fig. 1

Part 1A - MOUNTING TO WALL (DRYWALL)

IMPORTANT! The mount **MUST** be secured to a wood stud capable of supporting the combined weight of the mount and TV.

1. Use a high-quality stud finder to locate the stud on the wall where you wish to install your mount. Mark both edges of the stud to help locate the exact centre. (Fig. 1)

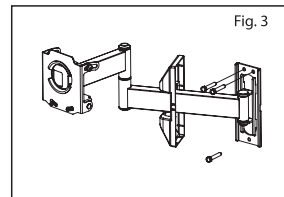
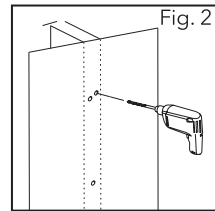
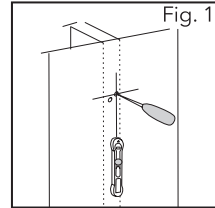
NOTE: Use the centre of each stud to prevent cracking or splitting the wood.

2. Place the mount against the wall over the marked stud with the arrow on the mount pointing up. Make sure it is level.

3. While another person holds the mount in place, mark three locations for securing the mount to the wall.

4. Set the mount aside and drill a 1/8" pilot hole at each marked location. (Fig. 2)

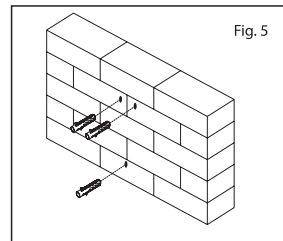
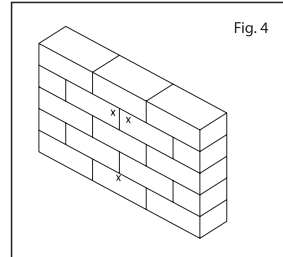
5. Attach the mount to the wall with the arrow pointing up using the screws (A) provided (Fig. 3). **DO NOT** release the mount until all bolts are secure. Ensure that the mount remains level.



Part 1B - MOUNTING TO WALL (CONCRETE)

IMPORTANT! For safety reasons, the concrete wall **MUST** be capable of supporting the combined weight of the mount and TV.

1. Place the mount against the wall over the desired location with the arrow on the mount pointing up. Make sure it is level.
2. While another person holds the mount in place, mark three locations for securing the mount to the wall. (Fig. 4)
3. Set the mount aside and drill a 5/16" hole at each marked location. Remove any excess dust from the holes. (Fig. 5)
4. Insert a concrete anchor (B) into each hole so that it is flush with the concrete surface. A hammer can be used to lightly tap the anchors into place if necessary.
NOTE: The concrete anchors **MUST** pass through anything that is over the concrete-plaster or drywall, for example-and be completely flush with the surface of the concrete.
5. Attach the mount to the wall with the arrow pointing up using the screws (A) provided (Fig. 3). **DO NOT** release the mount until all bolts are secure. Ensure that the mount remains level.



Part 2 - ATTACHING THE MOUNT ARMS TO THE TV

IMPORTANT! Use extra care during this part of the installation to avoid damaging your TV.

NOTE: This mount comes with a variety of screw diameters to accommodate different TV models. Not all of the hardware in the kit will be used. If you cannot find the appropriate screw size in the kit provided, consult with the manufacturer of your TV or a professional installer.

1. Determine the correct length of screw to use by examining the back of your TV:
 - If the back is flat and the mounting holes are flush with the surface, you will use the shorter screws (C, E or H)
 - If the back is curved, has a protusion or if the mounting holes are recessed, you will need to use the longer screws (D, F or I) and may also need to use the spacers (J)
2. Determine the correct diameter of the screw by carefully trying one of each size from the hardware kit. **DO NOT** force any of the screws. If you feel resistance, **STOP IMMEDIATELY** and try a smaller diameter screw.
3. Attach the mount to the back of your TV using the screws identified in steps 1 and 2 along with the M6 washers (G). If you are using the longer screws on a display with a curved or recessed back, you may also need to use spacers (J). Only use a spacer if necessary.

NOTE: If the holes of the mount do not line up with the holes on your TV, ensure that it has the following VESA compatibility:

VESA 100

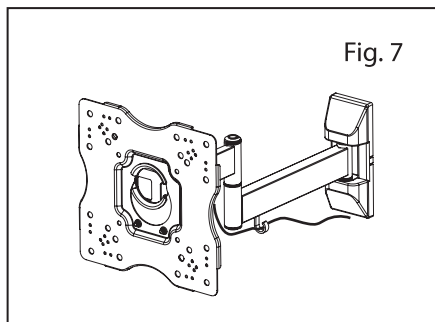
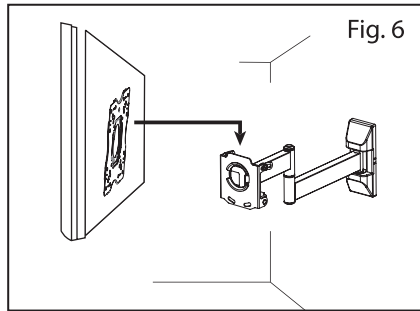
VESA 100 x 200

VESA 200 compatible

Consult your TV manual for more information.

PART 3 - FINAL ASSEMBLY

1. Remove the plastic cover from the mount.
2. With the help of another person, carefully lift your TV and place it on the mount (Fig. 6). **DO NOT RELEASE THE TV UNTIL THE TV PLATE IS SECURELY ATTACHED TO THE MOUNT.**
3. Replace the screws removed during preparation and tighten.
IMPORTANT! The screws must be adequately tightened to prevent the TV from being accidentally knocked from the mount.
4. Install the cable management clip (K) from the hardware kit (Fig. 7).
5. Carefully route cables through the hook. Slide the plastic cover back onto the mount.



OPERATION AND ADJUSTMENT

1. **TILT ANGLE:** With another person holding the TV, loosen the tilt adjustment screws using the S4 Allen Key, adjust the tilt angle to the desired position, then re-tighten the screws. **DO NOT** release the TV until the screws are fully tightened. (Fig. 8)

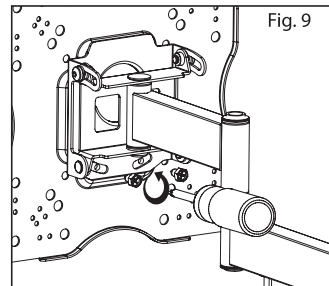
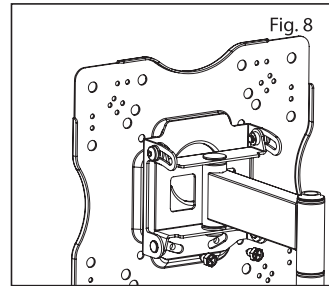
IMPORTANT! NEVER FULLY LOOSEN OR REMOVE THESE SCREWS

2. **LEVEL:** With another person holding the TV, loosen the safety screws, rotate the screen until it is level, then re-tighten the screws. **DO NOT** release the TV until the screws are fully tightened. (Fig. 9)

IMPORTANT! NEVER FULLY LOOSEN OR REMOVE THESE SCREWS

3. Swivel adjustments can be made by moving the TV to the desired position. Be careful that fingers or cables do not get pinched when moving the mount.

4. Periodically clean your mount with a soft, dry cloth. Inspect all screws and hardware regularly to ensure that no connections have become loose over time. Re-tighten as needed.



Warning

This product contains small items that could be a choking hazard if swallowed. Keep these items away from young children!

1. Make sure these instructions are read and completely understood before attempting installation. If you are unsure of any part of this installation, contact a professional installer for assistance.
2. The wall or mounting surface must be capable of supporting the combined weight of the mount and the display; otherwise the structure must be reinforced.
3. Safety gear and proper tools must be used. A minimum of two people are required for this installation. Failure to use safety gear can result in property damage, serious injury or death.

THE SOURCE – WARRANTY

The Source warrants that this product will be free from defects in materials and workmanship for a period of one (1) year from the date of purchase. Within this period, simply take the product and your proof of purchase to any The Source store or participating dealer and the product will be replaced (where available) without charge. Any product which has been subject to misuse or accidental damage is excluded from this warranty.

This warranty is only applicable to a product purchased through The Source company-owned stores or participating dealers in Canada where the warranty is included with the product. While this warranty does not confer any legal rights other than those set out above, you may have additional statutory rights which will vary under the laws of the various countries, states, provinces and other governmental entities in which The Source operates. This warranty is subject to all statutory rights you may have in Canada.

Imported by:
The Source,
Barrie, Ontario, Canada, L4M 4W5

Manufactured in China

www.thesource.ca



© 2021 The Source
All rights reserved.