

# BLUETOOTH® OVER-EAR STEREO HEADPHONES HRF 3001



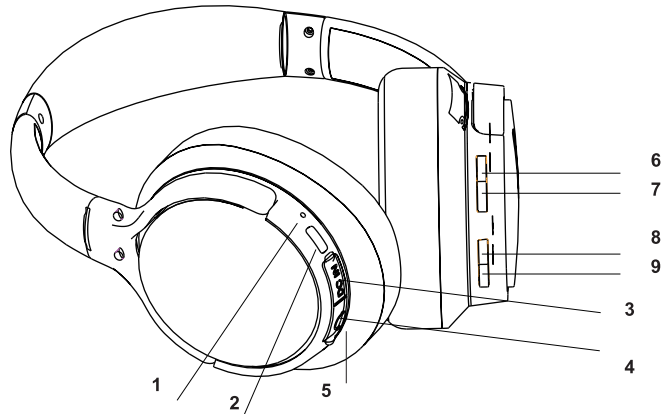
The Bluetooth® word mark and logos are registered trademarks owned by Bluetooth® SIG, Inc. and any use of such marks by The Source (Bell) Electronics Inc. is under license. Other trademarks and trade names are those of their respective owners.

## WHAT'S INCLUDED:

- HRF 3001 Headphones
- Micro USB charging cable
- 3.5mm audio cable
- Instruction manual

## IDENTIFYING THE PARTS OF YOUR HEADPHONES

1. LED indicator
2. Power/MFB (Multi-function button)
3. Micro USB charging port
4. 3.5mm audio jack
5. Microphone
6. Volume increase +
7. Volume decrease -
8. Previous Track <<
9. Next track >>



## INTRODUCTION

Thank you for purchasing HRF 3001 Headphones. In order to maximize your listening experience, please read the instructions below.

## OPERATING INSTRUCTIONS

TO	DO THIS
Power ON	Press and hold MFB for 2 seconds, the headphones will make a "beep" sound
Power OFF	Press and hold MFB for 3 seconds, the headphones will make a "beep" sound.
Adjust the volume	Press V+/V- button. When the max/min volume is reached the headphones will make a "beep" sound.
Play/Pause	Press MFB once to pause Press again to resume
Next track	Press " >> " button
Previous track	Press " << " button
Answer a call	Press MFB button
End a call	Press MFB button
Reject a call	Press and hold MFB for 2 seconds
Redial previous number	In standby status quickly press MFB button twice
Mute a call	Press "V+" and "V-" at the same time during a call

**NOTE:** The function capability may vary among different smartphones or devices. Not all functions are available on all devices.

## LED INDICATOR

FUNCTION	LED STATUS
Power ON	Blue LED flashes 2 times
Power OFF	Red LED flashes 2 times
Pairing	Red and blue LED flash alternately
Standby	Blue LED flashes every 6 seconds
Incoming call	Blue LED flashes continuously
Low battery	Red LED flashes, the headphones will make a "beep" sound
Charging	Red LED light solid during charging
Charging complete	Blue LED light solid when charging complete

## CHARGING

Fully charge your headphones before first use. Plug the supplied micro USB cable into the micro USB port and then to a USB compatible car or wall charger. A full charge will take about 2 hours. During charging, the red LED will remain solid. When fully charged, the LED will change to blue.

## BATTERY CAPACITY STATUS

When the headphones are connected to an iOS® device, the headphone battery status will appear in the upper right-hand corner. When the battery icon is red, please charge the headphones.

## PAIRING

Pairing with one smartphone or other device:

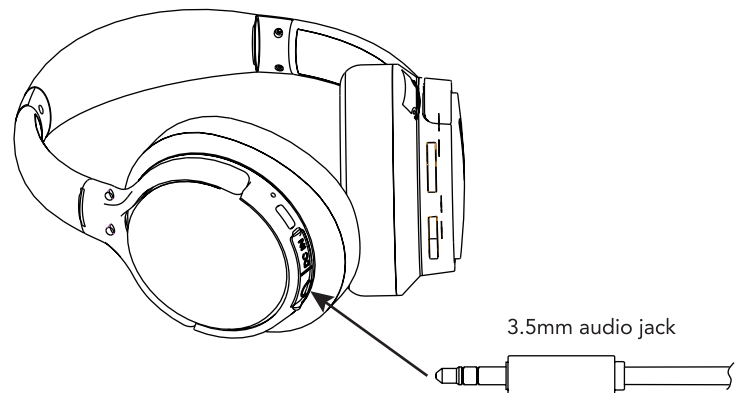
- Make sure the headphones are OFF
- Press and hold the MFB button for 5 seconds to enter into pairing mode
- The red LED and blue LED will flash alternately
- Locate the Bluetooth® settings in your device and search for the headphones
- From the list of found devices, select "HRF 3001" and select to connect it
- Follow the instructions and enter "0000" as PIN, if required
- The headphones will turn OFF if no device is paired within 5 minutes

Pairing with two smartphones or other devices at the same time:

- The headphones can support a multi-connection. It can pair with two smartphones simultaneously and can take a call from either one.
- After pairing is complete with the first device, turn the headphones OFF. Then, repeat the pairing procedure with the second device
  - Once it's connected with the second device, go back to the previous device to turn ON the Bluetooth® and select HRF 3001 to connect to it. The headphones will automatically connect to your device when switched ON, provided your Bluetooth® is ON and within range.

## 3.5MM LINE-IN

Connect the 3.5mm audio jack to your headphones and audio devices.



## SOUND QUALITY WITH APT-X® CODE

Featuring the apt-X® code, the headphones can connect wirelessly to any apt-X® enabled device. This vastly improves the quality of Bluetooth® streaming, delivering CD-quality sound.

## USING YOUR HEADPHONES

1. For the best sound and comfort, the right fit is very important. Please adjust your headband to make sure the headphones fit snugly and securely.
2. Place your headphones on corresponding ear side (R on right ear and L on left ear).
3. To ensure your headphones stay in place while doing physical activity, make sure the cord is placed in front of your head and body.

## PROTECTING YOUR HEADPHONES

- Keep your headphones clean and free of debris
- Do not tug on the cable to disconnect plug from device but rather pull from the plug to disconnect
- Do not wrap headphones around a device while it is still plugged in as it puts unnecessary pressure on plug/cord connection

## SPECIFICATIONS

Bluetooth® version	4.1
Bluetooth® profiles	A2DP/AVRCP/HSP/HFP*
Talk time	Approx. 20 hours**
Stand-by time	Approx. 750 hours**
Music play time	Approx. 20 hours**
Wireless range	within 10m (32-ft.)
Impedance	32Ω
Sound pressure level	114±3dB
Frequency response	20Hz-20KHz
Driver diameter	40mm
Battery	520mAh Lithium-Ion
Recharging input	DC 5V, 500mA

\*HFP = Handsfree profile, HSP= Handset profile, A2DP=Advanced audio distribution profile, AVRCP=Audio/video remote control profile.

\*\*Approximate playback time, battery life depends on individual use and may be more or less than specified.

## WARNING!

- Do not insert plug into electric sockets
- Supervise children when using equipment, this product is not a toy
- Listening to headphones at high volume levels, particularly over extended periods of time, may damage your hearing
- If you have a pacemaker or other electrical medical devices, you should consult your physician before using this product
- The operation of switching on your Hi-Fi system or plugging in the headphones may cause clicks which at high volume setting may affect your hearing. Therefore, always set the volume control to minimum before switching between different sources (tuner, turntable, CD player, etc.) or plugging in the headphones
- DO NOT use headphones while driving or cycling

## TROUBLESHOOTING

### No sound

- Power on the headphones and charge the battery
- Increase the volume on your headphones and Bluetooth® device
- Make sure you are using the correct paired device
- Move your Bluetooth® device closer to the headphones and away from any interference or obstructions
- Use a different music source
- Pair a different Bluetooth® device
- If two Bluetooth® devices are connected, pause the first device and play the other device
- If two Bluetooth® devices are connected, move the devices within range of the headphones

### Poor sound quality

- Use a different music source
- Pair a different Bluetooth® device
- Disconnect the second device
- Move the Bluetooth® device closer to the headphones, and away from any interference or obstructions

### Headphones don't turn ON

- Power ON the headphones
- Charge the battery

### Headphones don't pair with Bluetooth® device

- On your Bluetooth® device: Turn the Bluetooth® feature on and then off. Delete HRF 3001 Headphones from the Bluetooth® list on your device. Pair again
- Move your Bluetooth® device closer to the headphones and away from any interference or obstructions

## INDUSTRY CANADA NOTICE RSS247

This device complies with Industry Canada license-exempt RSS standard(s).

Operation is subject to the following two conditions:

- (1) this device may not cause interference, and
- (2) this device must accept any interference, including interference that may cause undesired operation of the device.

This digital apparatus does not exceed the Class B limits for radio noise emissions from digital apparatus set out in the Radio Interference Regulations of Industry Canada.

IC Number: 255A-8064636

## THE SOURCE - WARRANTY



The Source warrants that this product will be free from defects in materials and workmanship for a period of one (1) year from the date of purchase. Within this period, simply take the product and your proof of purchase to any The Source store or participating dealer and the product will be replaced (where available) without charge. Any product which has been subject to misuse or accidental damage is excluded from this warranty.

This warranty is only applicable to a product purchased through The Source company-owned stores or participating dealers in Canada where the warranty is included with the product. While this warranty does not confer any legal rights other than those set out above, you may have additional statutory rights which will vary under the laws of the various countries, states, provinces and other governmental entities in which The Source operates. This warranty is subject to all statutory rights you may have in Canada.

Imported by:  
The Source,  
Barrie, Ontario, Canada, L4M 4W5

Manufactured in China

For product support please visit  
[www.headrushaudio.com](http://www.headrushaudio.com)

© 2017 The Source  
All rights reserved.



Please Recycle