



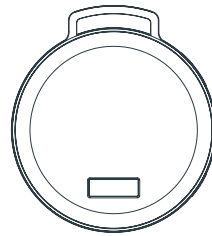
HEADRUSH®

# BLUETOOTH® SPEAKER

SPOT  
HRSP 5000GR/T/PU



The Bluetooth® word mark and logos are registered trademarks owned by Bluetooth® SIG, Inc. and any use of such marks by The Source (Bell) Electronics Inc. is under license. Other trademarks and trade names are those of their respective owners.



## WHAT'S INCLUDED:

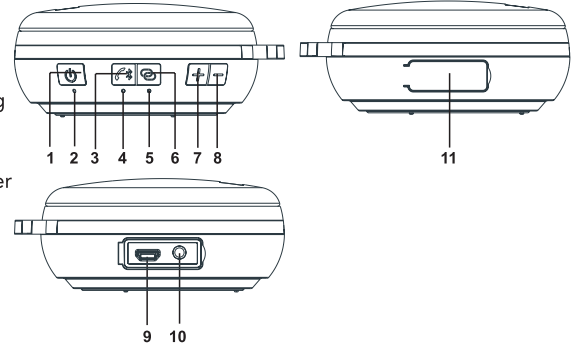
- Speaker
- Micro USB charging cable
- 3.5mm audio cable
- Carabiner
- Instruction Manual

## FEATURES:

1. Bluetooth® 2.1 +EDR (Enhanced Data Rate)
2. TWS (True Wireless Stereo)
3. Handsfree telephone calling
4. Passive radiator
5. Operating distance up to 10m (33-ft.)
6. Operation time up to 4.5 hours (medium volume level)
7. 3.5mm line-in
8. Fabric acoustic skin
9. IPX6 water-resistant feature

## COMPONENT IDENTIFICATION:

1. Power ON/OFF
2. LED indicator
3. MFB (multi-function button) Play/Pause/Handsfree/Bluetooth®
4. AUX LED indicator
5. Bluetooth®/TWS LED indicator
6. TWS (True Wireless Stereo)
7. Volume increase +
8. Volume decrease -
9. Micro USB charging port
10. 3.5mm AUX input
11. Charging port cover



## PRODUCT OVERVIEW

You can use this item with an iPad®, iPhone®, iPod® and many types of smartphones to stream music and enjoy handsfree calling. In order to get the best results when using this device, please read this manual first before using. This unit has **IPX6** rating: Protected against heavy seas; water projected at all angles through a 12.5mm nozzle at a flow rate of 100 litres/min. at a pressure of 100kN/m2 for 3 minutes from a distance of 3 metres/10 feet. **Do not submerge in water.**

## PAIRING

In order to pair your audio device to your Bluetooth® Speaker for the first time, follow the steps below:

1. Make sure your Bluetooth® audio source is held within ten metres of your speaker.
2. Press and hold the Power ON/OFF button turn your speaker ON. The blue Bluetooth® LED will blink.
3. Enable your Bluetooth® device and make sure it is in searching mode.
4. Select "HR SPOT" from the list of discovered Bluetooth® devices on your device. When you have successfully connected, the blue LED will stop blinking and will remain solid.
5. You can listen to your music or make/receive telephone calls on the speaker.
6. To turn the speaker OFF press the Power ON/OFF button.

**NOTE:** The next time you turn the speaker ON, it will connect automatically as long as the Bluetooth® function on your device is switched ON and is within range. When you disconnect the speaker while paired the blue LED will blink quickly and the speaker will enter into pairing mode. If no device is paired within 10 minutes the speaker will turn OFF.

## TWS (TRUE WIRELESS STEREO) CONNECTION

Two HR Spot speakers can be synced and connected through TWS to build a left and right stereo sound system for surround sound. To connect:

1. Turn ON both speakers. The blue LED will begin to flash.
2. Short press the TWS button on both speakers **SIMULTANEOUSLY**. Wait a few seconds to pair automatically. The speakers will beep.
3. Once connected successfully, one of the speaker LED will keep flashing blue, which will be the "master" speaker. The other speaker LED will turn solid blue, and will be the "slave" speaker.
4. Enable your Bluetooth® device and make sure it is in searching mode.
5. Select "HR SPOT" from the list of discovered devices and connect to it. Note: You will only find one "HR SPOT" in the list.
6. The master speaker will act as the left channel during TWS and will receive the Bluetooth® signal. The other speaker will act as the right channel.

## TIP:

- Make sure to short press the TWS button, not long press
- Make sure to press both TWS buttons at the same time
- Once the two speakers are paired in the TWS mode, they will automatically enter into the TWS mode first if you power ON the two speakers together next time. If you want to disconnect the TWS mode, long press the TWS button until you hear a beep and both speakers LED start to flash. Or simply power ON one speaker only
- When the master speaker is connected to a device via the 3.5mm audio

cable, the cable will be prioritized and you will not be able to play music via Bluetooth®

- When TWS is synced and the master speaker is connected to a device via the audio cable, the indicator on both speakers will become solid green colour. The TWS indicator of the master speaker will flash once unplugged and the TWS indicator of the other speaker will remain solid once unplugged

## CHARGING

This speaker has a built-in rechargeable Li-Ion battery. **Fully charge the speaker before first use. Charge the battery as follows:**

1. Connect one end of the included USB charging cable to the charging port on your speaker. Then plug the other end of the USB charging cable into a suitable port on your computer or 5V/1A power adapter (sold separately).
2. The red LED light will turn ON. When the charge is complete the red LED light will turn OFF.
3. It will take approximately 2.5 hours to fully charge the speaker.

**TIP:** When the battery is low, you will hear a "beep" and the red LED will flash twice every few seconds.

## HANDSFREE SPEAKERPHONE

When a smartphone is connected to your speaker follow the steps below to take calls handsfree.

1. If there is an incoming call while streaming music the speaker will beep to notify you about the call.
2. Short press the Play/Pause/Handsfree button to pick up the call.
3. Short press the Play/Pause/Handsfree button again to hang up the call.

## AUX IN

1. Use the supplied 3.5mm audio cable to connect the speaker directly with your device.
2. The green LED will remain solid and any previous Bluetooth® connection will be disconnected.
3. When the 3.5mm audio cable is unplugged, the speaker will return to the previous Bluetooth® connection.

## UNDERSTANDING THE LED STATUS LIGHTS

- **When charging your speaker**
  - o Solid red LED=charging
  - o Red LED OFF=charging complete
- **When pairing your speaker to a Bluetooth® device**
  - o Quick blinking blue LED=Bluetooth® not connected, ready to pair
  - o Solid blue LED=Bluetooth® connected
- **When pairing your speaker to a Bluetooth® device in TWS mode (only the master device can be paired)**
  - o LED flashing slowly=Bluetooth® not connected
  - o LED flashing ever few seconds=Bluetooth® connected
- **When connected via line-in**
  - o Solid green LED=connected

## TO PLAY MUSIC FROM YOUR PC OR LAPTOP

After pairing your PC or laptop, right-click on the speaker icon on the lower right hand corner of the task bar, select "Playback devices". Under the "Playback" tab, the paired device will show within the list. To connect to it, click on the speaker to set it as default. The audio will start to play from the paired device.

## TECHNICAL SPECIFICATIONS

Carrier Frequency :	Bluetooth® 2.1+EDR
Battery Capacity :	3.7V, 520mAh
Frequency Response:	100Hz-15kHz
Operation Distance:	Up to 10m (33-ft.)
Output Power:	5W (max)
Impedance:	4Ω

**NOTE:** This speaker is in compliance with the specified Bluetooth® version. It does not guarantee compatibility with all the functions on every Bluetooth® enabled device. Please check your smartphone's user manual for compatibility and functionality.

## TROUBLESHOOTING

No Sound:

- Power ON the speaker and charge the battery
- Increase the volume on your speaker and Bluetooth® device
- Make sure you are using the correct paired device
- Move your Bluetooth® device closer to the speaker and away from any interference or obstructions
- Use a different music source

TWS not working:

- In AUX IN mode reconnect the TWS function by restarting the setup process

**WARNING:** Changes or modifications to this unit not expressly approved by the party responsible for compliance could void the user's authority to operate the equipment.

## INDUSTRY CANADA NOTICE RSS 247

This device complies with Industry Canada license-exempt RSS standard(s).

Operation is subject to the following two conditions:

- (1) this device may not cause interference, and
- (2) this device must accept any interference, including interference that may cause undesired operation of the device.

This digital apparatus does not exceed the Class B limits for radio noise emissions from digital apparatus set out in the Radio Interference Regulations of Industry Canada.

**IC: 255A-8063853**

## THE SOURCE – WARRANTY



The Source warrants that this product will be free from defects in materials and workmanship for a period of 12 months from the date of purchase. Within this period, simply take the product and your proof of purchase to any The Source store or participating dealer and the product will be replaced (where available) without charge. Any product which has been subject to misuse or accidental damage is excluded from this warranty.

This warranty is only applicable to a product purchased through The Source company-owned stores or participating dealers in Canada where the warranty is included with the product. While this warranty does not confer any legal rights other than those set out above, you may have additional statutory rights which will vary under the laws of the various countries, states, provinces and other governmental entities in which The Source operates. This warranty is subject to all statutory rights you may have in Canada.

Imported by:  
The Source, Barrie, Ontario, Canada, L4M 4W5

Manufactured in China

[www.headrushaudio.com](http://www.headrushaudio.com)



© 2018 The Source  
All rights reserved.