



BLUETOOTH® CD CASSETTE BOOMBOX WITH NFC

8062912

OWNER'S MANUAL —

Before installing and using the product, please read the instructions thoroughly and retain them for future reference.



IMPORTANT SAFETY INSTRUCTIONS

TO PREVENT FIRE OR SHOCK HAZARD, DO NOT USE THIS PLUG WITH AN EXTENSION CORD, RECEPTACLE OR OTHER OUTLET UNLESS THE BLADES CAN BE FULLY INSERTED TO PREVENT BLADE EXPOSURE. TO PREVENT FIRE OR SHOCK HAZARD, DO NOT EXPOSE THIS APPLIANCE TO RAIN OR MOISTURE.

| | | |
|---|---|---|
|  <p>The lightning flash with arrowhead symbol, within an equilateral triangle is intended to alert the user to the presence of uninsulated dangerous voltage within the product's enclosure that may be of sufficient magnitude to constitute a risk of electric shock to persons.</p> | <h3>CAUTION</h3> <h4>RISK OF ELECTRIC SHOCK DO NOT OPEN</h4> <p>WARNING: TO REDUCE THE RISK OF ELECTRIC SHOCK DO NOT REMOVE COVER (ON BACK), NO USER SERVICEABLE PARTS INSIDE REFER SERVICING TO QUALIFIED SERVICE PERSONNEL.</p> |  <p>The exclamation point within an equilateral triangle is intended to alert the user to the presence of important operating and maintenance (servicing) instructions in the literature accompanying the appliance.</p> |
|---|---|---|

The Caution Marking is located at the bottom enclosure of the apparatus

- 1. READ INSTRUCTIONS** - All the safety and operating instructions should be read before the product is operated.
- 2. RETAIN INSTRUCTIONS** - The safety and operating instructions should be retained for future references.
- 3. HEED WARNINGS** - All warnings on the product and in the operating instructions should be adhered to.
- 4. FOLLOW INSTRUCTIONS** - All operating and user instructions should be followed.
- 5. WATER AND MOISTURE** - Do not use this product near water (a bathtub, washbowl, kitchen sink, laundry tub, wet basement or swimming pool for example).
- 6. VENTILATION** - Slots and openings in the cabinet are provided for ventilation and to ensure reliable operation of the product and to protect it from overheating and these openings must not be blocked or covered. The openings should never be blocked by placing the product on a bed, sofa, rug or other similar surface. This product should not be placed in a built-in installation, such as a bookcase or rack, unless proper ventilation is provided or the manufacturer instructions have been adhered to.
- 7. HEAT** - The product should be situated away from heat source such as radiators, heat registers, stoves or other products (including amplifiers) that produce heat.
- 8. POWER SOURCES** - This product should be operated only from the type of power source indicated on the marking label. If you are not sure of the type of power supply to your home, consult your appliance dealer or local power company. For products intended for operation from battery power or other sources, refer to the operating instructions.
- 9. POWER CORD PROTECTION** - Power supply cords should be routed so that they are not likely to be walked on or pinched by items placed upon or against them. Pay particular attention to cords at plugs, convenience receptacles, and the point where they exit the product.
- 10. POWER LINES** - An outside antenna system should not be located in the vicinity of overhead power lines or other electric light or power circuits or where it can fall into such power lines or circuits. When installing an outside antenna system, extreme care should be taken to keep from touching such power lines or circuits as contact with them might be fatal.
- 11. OBJECT AND LIQUID ENTRY** - Never push objects of any kind into this product through openings as they may touch dangerous voltage points or short-out parts that could result in a fire or electric shock. Never spill liquid of any kind on the product.
- 12. ESD WARNING** - If the display or the controls do not function properly it may be due to an electrostatic discharge. Switch off and unplug the product. Reconnect after a few seconds.
- 13. DAMAGES REQUIRING SERVICE** - Unplug this product from the wall outlet and refer servicing to qualified service personnel under the following conditions :
 - (a) When the power-supply cord or plug is damaged.
 - (b) If liquid has been spilled or objects have fallen onto the product.
 - (c) If the product has been exposed to rain or water.
 - (d) If the product does not operate normally after following the operating instructions. Adjust only those controls that are covered by the operating instructions as an improper adjustment of other controls may result in damage and will often require extensive work by a qualified technician to restore the product to its normal operation.
 - (e) When the product exhibits a distinct change in performance—this indicates a need for service.
- 14. SERVICING** - Servicing is required when the product has been damaged in any way, such as the power-supply cord or plug being damaged, liquid spillage or objects falling on or into the product—anything that causes the apparatus to not operate normally. Refer all servicing to qualified service personnel.
- 15. GROUNDING OR POLARIZATION** - This product may be equipped with a polarized alternating current line plug (a plug having one blade wider than the other). This plug will fit the power outlet only one way. This is a safety feature. If you are unable to insert the plug fully into the outlet, try reversing the plug. If the plug should still fail to fit, contact your electrician to replace your obsolete outlet. DO NOT defeat the safety purpose of the polarized plug.

WARNINGS

1. **WARNING:** Please refer to the label on the exterior bottom of this apparatus for all electrical and safety information before installing or operating this apparatus.
2. **WARNING:** To reduce the risk of fire or electric shock, do not expose this apparatus to rain or moisture. The apparatus shall not be exposed to dripping or splashing and objects filled with liquids, such as vases, shall not be placed on apparatus.
3. **WARNING:** The batteries shall not be exposed to excessive heat such as sunshine, fire or the like.
4. **WARNING:** The wall socket plug is used as a disconnect device, the disconnect device shall remain readily operable.
5. **WARNING:** Excessive sound levels from earphones or headphones can cause hearing loss.

BATTERY WARNINGS

- Batteries must be inserted taking care to match the polarities shown
- Make sure that the (+) and (-) terminals are placed in the right direction
- Never use batteries that show signs of electrolyte leaks or cracking
- Never dispose of used batteries in an open fire
- Keep batteries out of reach of children
- Never recharge disposable batteries
- Never short circuit battery terminals
- Always remove used batteries from the appliance case
- Do not try to open the batteries
- Do not mix up different kind of batteries or new and already used batteries together
- Only use batteries of the recommended or equivalent type
- Remove batteries from the appliance before disposing of it at the end of its service life

CAUTION!

HAZARDOUS LASER RADIATION WHEN
OPEN AND INTERLOCK FAILED OR
DEFEATED. AVOID EXPOSURE TO BEAM



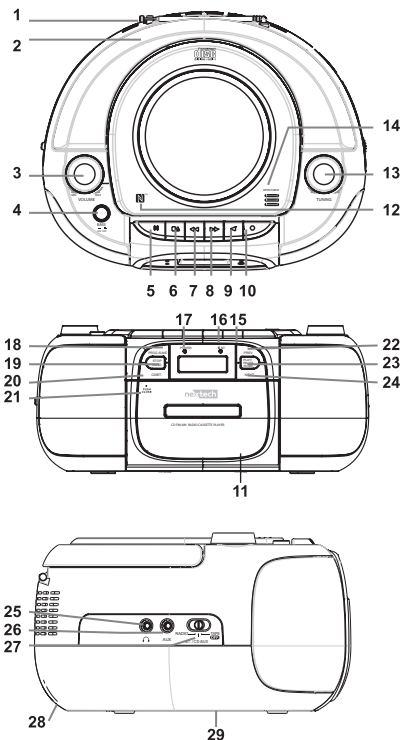
CLASS 1 LASER PRODUCT

PROTECT YOUR FURNITURE

This model is equipped with non-skid rubber feet to prevent the product from moving when you operate the controls. These feet are made from non-migrating rubber material specially formulated to avoid leaving any marks or stains on your furniture. However certain types of oil based furniture polishes, wood preservatives or cleaning sprays may cause the rubber feet to soften and leave marks or a rubber residue on the furniture. To prevent any damage to your furniture we strongly recommend that you purchase small self-adhesive felt pads, available at hardware stores and home improvement centres everywhere and apply these pads to the bottom of the rubber feet before you place the product on fine wooden furniture.

LOCATION OF CONTROLS

1. FM antenna
2. Carrying handle
3. VOLUME
4. BASS ON/OFF
5. Cassette PAUSE ■■
6. Cassette STOP/EJECT ■▲
7. Cassette REWIND ◀◀
8. Cassette FAST FORWARD ▶▶
9. Cassette PLAY ◀
10. Cassette RECORD ●
11. Cassette door
12. NFC connection location
13. Tuning knob
14. CD Cover OPEN/CLOSE
15. LCD Display
16. Bluetooth® indicator
17. Power indicator
18. PROG/SAVE
19. STOP/BAND
20. CD/BT
21. Cassette Door Close
22. PREV
23. PLAY/PAUSE/SCAN
24. NEXT
25. Headphone jack
26. AUX IN
27. Function Mode
RADIO, BT./CD/AUX, TAPE (OFF)
28. AC—IN
29. Battery door



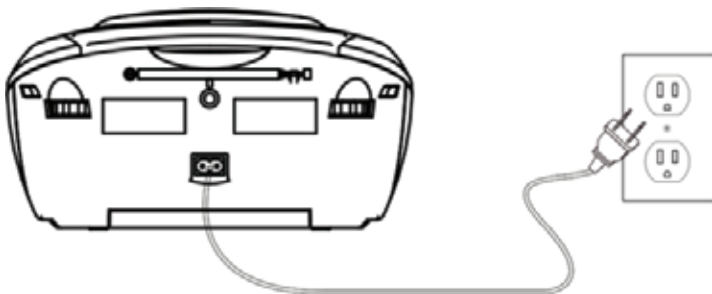
POWER SOURCES

This unit operates on 120V~60Hz or 8 x DC1.5V C (UM-2) batteries. Do not attempt to operate the unit on any other power source. You could cause damage to the unit and void your warranty.

AC OPERATION

Plug the detachable AC cord into a standard AC outlet (120V~60Hz).

1. When the AC power cord is connected to the AC power socket on the back of the unit and the other end is plugged into a 120V AC~60Hz wall outlet, the unit will disconnect the batteries automatically and operate on AC power only.



WARNING:

Before connecting to the power outlet, ensure that the outlet corresponds to the information on the rating label at the back of the boombox.

BATTERY OPERATION

1. Remove the battery door (29)
2. Install 8 x DC1.5V C (UM-2) batteries (not included) according to the polarity diagram inside the battery compartment.

Note: For best performance, alkaline-type batteries are recommended.

3. Close the battery door (29).

IMPORTANT:

- Be sure that the batteries are installed correctly. Wrong polarity may damage the unit and void the warranty
- Always remove the batteries when the boombox will not be used for a long period of time, as the batteries may leak causing damage to the boombox



WARNING:

Incorrect use of batteries can cause electrolyte leakage and will corrode the compartment or cause the batteries to burst.

Therefore:

- Use batteries of the same type. Never use different types of batteries together
- When using batteries with the product, disconnect the AC power cord from it
- When inserting new batteries, do not try to mix old batteries with new ones

**Batteries contain chemical substances,
so they should be disposed of properly.**

BATTERY REPLACEMENT

When the output sound of this unit becomes distorted or the CD player operation appears unstable, the batteries are weak. You need to replace all the exhausted batteries at the same time as soon as possible to avoid battery leakage.

RADIO OPERATION

1. Slide the function mode switch (27) to RADIO position.
2. Press the STOP/BAND button (19) to select AM or FM station manually. In FM mode extend the FM antenna (1) to have better reception.
3. Short press PROG/SAVE button (18) to save the selected station, a maximum of 15 stations can be saved.
4. To scan for stations automatically, short press the PLAY/PAUSE/SCAN button (23), once a signal station is found it will save automatically. The unit will continue until 15 entries have been saved.
5. To call back a saved station short press PREV button (22) or NEXT button (24).

TIPS FOR BEST RECEPTION

- AM – The AM antenna is located inside the cabinet of the unit. If AM reception is weak, change the position of the unit until the internal antenna picks up the strongest signal.
- FM – During FM reception, always keep the FM antenna fully extended for best performance. However, if FM reception is weak, try repositioning the unit near an open window until you get the best reception.

CD OPERATION

CD mechanisms used in devices like this are designed to fully read all commercial CDs. They will also read self-compiled CD-R/CD-RW discs but it may take up to 10 seconds for playback to start. If playback does not start, it is likely due to the quality of the CD-R/RW disc and/or the compatibility of the CD compilation software. The manufacturer is not responsible for the playback quality of CD-R/RW discs.

Do not attach a label or seal to either side of the CD-R/RW disc. It may cause a malfunction.

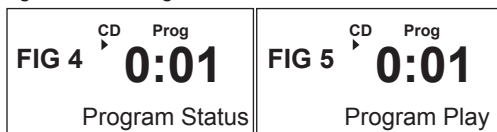
PLAY MODE

1. Slide the function mode switch (27) to the BT/CD/AUX position.

- Open the CD door by pressing CD Cover OPEN/CLOSE (14) on the bottom right corner of the CD lid. Remove the CD laser head protective paper card.
- Load a CD into the disc tray with the label facing upwards. The CD compatibility is: CD, CD-R and CD-RW.
- Close the CD door, the player will begin to read the disc data immediately. After a few seconds the first song on the CD will play.
- Adjust the volume by turning the VOLUME knob (3) on the unit to the desired volume level. Press BASS ON/OFF button (4) to obtain more bass effect.
- Press PLAY/PAUSE/SCAN button (23) to pause playing, press again to resume playing.
- Press STOP/BAND button (19) to stop playing.
- Press PREV button (22) once during playback to skip to the previous track; press NEXT button (24) to skip to the next track. Long pressing PREV button (22) or NEXT button (24) for fast rewind or fast forward function respectively.
- While playing a song, press PROG/SAVE button (18) once to repeat the song. The LCD display showing as Fig. 1; press twice to repeat all songs of the CD, LCD display showing as Fig. 2. Press three times to play tracks in a random order, LCD display showing as Fig. 3, press four times to resume normal play.



- To program songs in a particular order press PROG/SAVE button (18), the LCD display will show "P" and flash as Fig. 4. Press PREV button (22) or NEXT button (24) to select the song to save, press again to save it into the song list. Up to 20 tracks can be programmed for disc play in any order. Be sure to press the STOP/BAND button before use. Press PLAY/PAUSE/SCAN button (23) to begin playing the disc in the order you have programmed as Fig. 5.



BLUETOOTH® OPERATION

- Slide function mode switch to BT/CD/AUX position (27), press CD-BT mode button (20) to select Bluetooth® mode. The display will flash "BT" and the BT LED indicator will flash (16), indicating the boombox is ready to pair.
- Switch on your Bluetooth® on your audio device. When searching, the product name "Nexstech Boombox" will be shown. If your device's firmware is a lower version, you may need to enter a pass code or password. By default it is "0000" to pair. After your device is successfully paired, the Bluetooth® LED indicator (16) will become solid blue

and the “BT” indicator will stop blinking on the LCD display (15).

3. After pairing is successful, keep pressing PLAY/PAUSE/SCAN button (23) to disconnect, short press the CD/BT button (20) twice for Bluetooth® re-connection.
4. In Bluetooth® playing mode, short press PLAY/PAUSE/SCAN button (23) to play a song, press PREV button (22) to play the previous song or press the “NEXT” button (24) to play the next song.

PAIRING BY ONE-TOUCH CONNECTION WITH NFC

1. Enable the NFC function on your device.
2. Use your NFC-enabled device and touch the NFC logo (12) on the boombox.
3. Confirm the NFC connection on your device. This will vary depending on your device; check your device manual for compatibility.

CASSETTE RECORDER OPERATION

1. Slide the function mode switch to TAPE(OFF) position. Press cassette STOP/EJECT ■▲ button (6) to open the cassette door and insert a pre-recorded cassette tape. Push the cassette door to close it (11).
2. Press the cassette PLAY◀ button (9) to start playback and adjust the volume control (3) to obtain the desired sound level. Press BASS ON/OFF button (4) to have better bass effect.
3. Press the cassette FAST FORWARD ►► button (7) or the cassette REWIND ◀◀ button (8) to rapidly advance or rewind the tape.
4. Press both the cassette PLAY ◀ button (9) and RECORD ● button (10) to record either from the Radio, AUX IN, CD or Bluetooth®. Use the function selector to choose your signal source accordingly.
5. Press the cassette PAUSE ■■ button (3) to pause the playback, press it again to resume the playback.
6. Press the cassette STOP/EJECT ■▲ button (6) to stop operation.

AUTOMATIC STOP

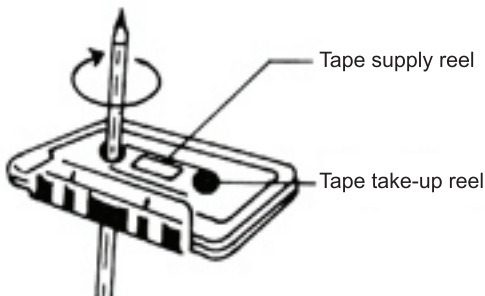
To protect your cassette tapes and prevent unnecessary wear to the pinch roller of the cassette mechanism, this unit is equipped with an Automatic Stop System. When the tape ends during play, the cassette PLAY ◀ (9) button will automatically release to stop the cassette from running.

CASSETTE TAPE OPERATING TIPS

1. High quality tapes are recommended to obtain maximum quality reproduction from recordings.
2. Tapes with playing time of 120 minutes (C-120) are not recommended because they

contain thinner and longer tape that has a greater chance to malfunction and jam, which may damage the cassette mechanism.

3. To obtain good reproduction, the head should be cleaned every 10 to 20 hours of use. It is also recommended that the cassette be kept away from excessive heat or cold.
4. If there is slack in the tape, remove the slack prior to inserting the cassette. To remove the slack, insert a pencil into the hub and rotate clockwise as shown below:



5. A leader tape is provided at the beginning of each cassette. There is no recording on this area, so it is necessary to let the tape run for about five seconds to clear the head.

To ensure quality recording and playback of the tape deck, clean parts **A**, **B** and **C** shown in the diagram (after approximately 50 hours of operation or an average of once a month). Use a cotton bud slightly moistened with alcohol or head cleaning fluid to clean the deck.

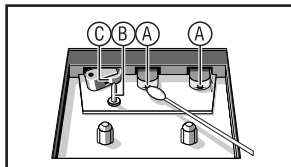
1. Open the cassette door by pressing cassette STOP/EJECT ■▲ button (6).
2. Press cassette PLAY ◀ button (9) and clean the rubber pressure rollers **C**.
3. Press cassette PAUSE ■■ button (3) and clean the magnetic heads **A** and also the Capstan **B**.
4. After cleaning press STOP/EJECT ■▲ button (6).

Note: Cleaning the heads can also be done by playing a cleaning cassette through once.

AUX IN OPERATION

This CD player features an AUX-IN jack for connecting your iPod, MP3 player or other digital music players.

1. Connect the headphone jack of your external device to the AUX IN jack located on the back of this boombox (the connection cable is not included).
2. Turn ON the CD player and slide the function mode switch to BT/CD/AUX, it will enter the AUX function mode once an external device is plugged into the AUX IN jack.
3. Start to play your external audio device.
4. Slowly adjust both volume controls on your CD player and the external device.
5. Turn OFF your audio device when finished listening. Turn the CD player OFF and unplug the AUX IN jack.



Remark: Once the AUX IN jack is plugged in, the boombox will automatically enter the AUX mode when the function mode switch is in BT/CD/AUX. Remember to disconnect the cable from the boombox after use in order to be able to listen to the CD player again.

HEADPHONE JACK

Inserting the plug of your headphones into the stereo headphone jack will enable you to listen to your CD, radio or cassette music in private. When using headphones, the built-in speakers will be disconnected.

READ THIS IMPORTANT INFORMATION BEFORE USING YOUR HEADPHONES

1. Avoid extended play at high volumes as it may impair your hearing.
2. If you experience ringing in your ears, reduce the volume or shut off the unit.
3. Keep the volume at a reasonable level even if your headset is an open-air type designed to allow you to hear outside sounds. Please note that excessively high volume may still block outside sounds.

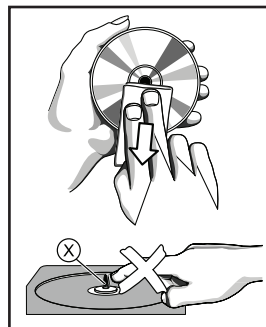
PRECAUTIONS & GENERAL MAINTENANCE

- Place the unit on a hard flat surface so the system does not tilt
- Do not expose the unit, batteries or CDs to humidity, rain, sand or excessive heat caused by heating equipment or direct sunlight
- Do not cover the unit. Adequate ventilation with a minimum gap of 15cm (6") between the ventilation holes and surrounding surfaces is necessary to prevent heat build-up
- The mechanical parts of the set contain self-lubricating bearings and must not be oiled or lubricated
- To clean the unit, use a soft dry cloth. Do not use any cleaning agents containing alcohol, ammonia, benzene or abrasives as these may harm the housing



CD PLAYER AND CD HANDLING

- The lens of the CD player should never be touched!
- Sudden changes in the surrounding temperature can cause condensation to form and the lens of your CD player to cloud over. Playing a CD would not become possible. Do not attempt to clean the lens. Instead, leave the unit in a warm environment until the moisture evaporates
- Always close the CD door to keep the CD compartment dust-free. To clean, dust the compartment with a soft dry cloth
- To clean the CD, wipe in a straight line from the centre towards the edge using a soft, lint-free cloth. Do not use cleaning agents as they may damage the disc
- Never write on a CD or attach any labels to it



TROUBLESHOOTING

| PROBLEM | POSSIBLE CAUSE | SOLUTION |
|---|---|---|
| NOISE OR SOUND DISTORTED ON AM OR FM BROADCAST | Station not tuned properly for AM or FM. | Re-tune the AM or FM broadcast station. |
| | FM: FM telescopic antenna is not extended. | FM: Extend FM telescopic antenna. |
| | AM: The bar antenna is not positioned correctly. | AM: Reposition the unit until the best reception is obtained. |
| AM OR FM NO SOUND | Unit not in RADIO function mode. | Slide FUNCTION SWITCH to RADIO position. |
| | Volume set at minimum. | Increase Volume. |
| CD PLAYER WILL NOT PLAY | Unit not in CD function mode. | Select CD FUNCTION mode. |
| | CD is not loaded properly. | Load CD with label side up. |
| | If the CD is self-compiled, the media used may not be compatible with the player. | Use better quality blank media and retest. |
| CD SKIPS WHILE PLAYING | Disc is dirty or scratched. | Wipe CD with clean cloth or use another disc. |
| INTERMITTENT SOUND FROM CD PLAYER | Dirty or defective disc. | Clean or replace the defective disc. |
| | Dirty pick up lens. | Use a CD lens cleaning disc to clean the lens. |
| | Player is subject to excessive shock or vibration. | Relocate the player away from shock or vibration. |
| CASSETTE PLAYER NO SOUND | Unit not in TAPE function mode. | Slide function selector to TAPE. |
| | Volume at minimum. | Increase volume. |
| SOUND DISTORTED | Dirty tape head. | Clean the head. |
| SPEED VARIES | Tape old or worn. | Replace the tape. |
| | Dirty roller and capstan. | Clean roller and capstan. |
| CASSETTE RECORDER WILL NOT RECORD | Prevention tab removed. | Cover hole with tape. |
| DISTORTED SOUND ON PLAYBACK | Defective tape or dirty tape head. | Replace tape or clean tape head. |
| SOUND APPEARS DISTORTED AT HIGH VOLUME SETTING | Volume control is set to maximum. | Adjust volume control to a lower comfortable level. |

SPECIFICATIONS

| | |
|-------------------------------|--------------------------------------|
| Supply Voltage Main: | |
| AC: | 120V/60Hz 16W |
| DC: | 12V (C x 8, required—not included) |
| Output Power: | 1.5W+1.5W |
| CD Audio Frequency Response: | 31.5Hz–16kHz \pm 3dB |
| CD S/N Ratio: | \geq 50dB |
| CD Sampling Frequency: | 44.1kHz |
| Digital- Analog Conversion: | 16–Bit |
| Coverage Frequency: | FM 87.5-108MHz AM 520-1710 KHz |
| Bluetooth Reception Distance: | 8 metres (based on the circumstance) |
| Angle of Deviation: | 30 degrees |
| Speaker Impedance: | 4 Ω +4 Ω |
| Unit Weight: Approx | 2.0kgs |

Industry Canada Notice RSS247

This device complies with Industry Canada license-exempt RSS standard(s).

Operation is subject to the following two conditions:

- (1) this device may not cause interference, and
- (2) this device must accept any interference, including interference that may cause undesired operation of the device.

This digital apparatus does not exceed the Class B limits for radio noise emissions from digital apparatus set out in the Radio Interference Regulations of Industry Canada.

IC Number: 255A-8062912

THE SOURCE - WARRANTY



The Source warrants that this product will be free from defects in materials and workmanship for a period of one (1) year from the date of purchase. Within this period, simply take the product and your proof of purchase to any The Source store or participating dealer and the product will be replaced (where available) without charge. Any product which has been subject to misuse or accidental damage is excluded from this warranty.

This warranty is only applicable to a product purchased through The Source company-owned stores or participating dealers in Canada where the warranty is included with the product. While this warranty does not confer any legal rights other than those set out above, you may have additional statutory rights which will vary under the laws of the various countries, states, provinces and other governmental entities in which The Source operates. This warranty is subject to all statutory rights you may have in Canada.

Imported by:
The Source,
Barrie, Ontario, Canada, L4M 4W5

Manufactured in China

For product support please visit
www.thesource.ca

© 2017 The Source
All rights reserved.



Please Recycle