





OWNER'S MANUAL —

Before installing and using the product, please read the instructions thoroughly and retain them for future reference.

8045607

SPECIFICATIONS

Display Size:	14" to 37"
Maximum Load:	25kg (55 lbs)
Mounting Pattern:	75 x 75 mm minimum 230 x 250 mm maximum
Profile:	2.2cm (0.9")

- (F) M6 x 12 Screw (x4) 
- (G) M6 x 20 Screw (x4) 
- (H) M6 Washer (x4) 
- (I) Spacer (x4) 

BOX CONTENTS

- 1 Wall Plate
- 2 Mount Arms
- 1 Safety Bar
- 1 Instruction Manual
- 1 Hardware Kit

WARNINGS






Read these instructions before you begin. If you are unsure of any part of the process, contact a professional contractor or installer for assistance. Improper installation can result in injury or damage.

- The wall or mounting surface must be capable of supporting the combined weight of the mount and the display; if not, the structure must be reinforced
- Locate pipes, wires, or any other hazards in the wall where you wish to install the mount before drilling
- Safety gear and proper tools must be used. Failure to do so can result in injury or damage
- A minimum of two people are required for installation. Do not attempt to install this mount alone under any circumstances
- Follow all instructions and recommendations regarding adequate ventilation and suitable locations for mounting your display. Consult the owner's manual for your particular display for more information
- **CAUTION:** This wall mount is intended for use only with the maximum weight of 25kg (55lbs). Use with heavier than the maximum weights indicated may result in instability causing possible injury

TOOLS REQUIRED

- Phillips Head Screwdriver
- Ratchet or Driver with 13mm (1/2") socket
- Electric or Portable Drill
- 6mm (1/4") Drill Bit and Stud Finder for drywall installation
- 10mm (3/8") Masonry Bit for concrete installation

HARDWARE KIT

- (A) M8 x 63 Lag Bolt (x3) 
- (B) Lag Bolt Washer (x3) 
- (C) Concrete Anchor (x3) 
- (D) M4 x 12 Screw (x4) 
- (E) M4 x 20 Screw (x4) 

INSTALLATION

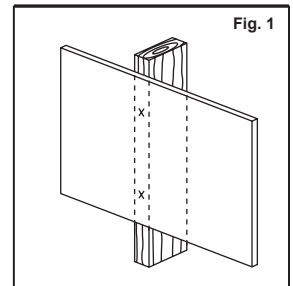
Part 1A – Mounting to the Wall (Drywall)

IMPORTANT! For safety reasons, this mount must be secured to a wood stud capable of supporting the combined weight of the mount and display. Do not mount to drywall alone.

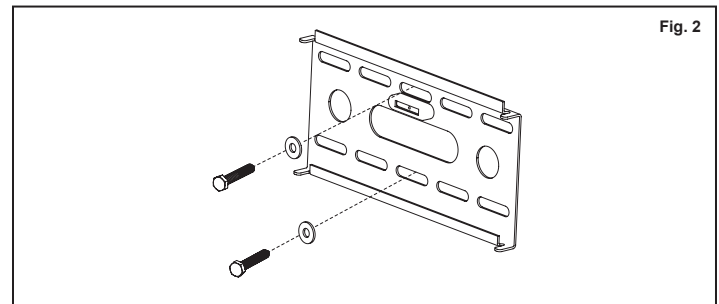
1. Use a high quality stud finder to locate a stud where you wish to install your mount. Mark both edges of the stud to help identify the exact centre.

NOTE: You must use the centre of the stud to avoid cracking or splitting the wood during installation.

2. Place the wall plate against the wall and level it using the integrated bubble level.
3. While another person holds the wall plate in position, mark two locations (top and bottom) for securing the mount to the wall. (see Fig. 1).
4. Set the wall plate aside and drill a 6mm (1/4") pilot hole at each marked location.



5. Place the wall plate back against the wall and attach it using the lag bolts (A) and lag bolt washers (B) provided (see Fig. 2). **Do not over-tighten these bolts and do not release the wall plate until both bolts are in place.** Ensure that the wall plate remains level after both bolts are secured.



Part 1B – Mounting to the Wall (Concrete)

IMPORTANT! For safety reasons, the concrete wall must be capable of supporting the combined weight of the mount and the display. The manufacturer takes no responsibility for failure caused by walls of insufficient strength.

1. Place the wall plate against the wall in the desired location and level it using the integrated bubble level.
2. While another person holds the wall plate in place, mark three loca-

tions on the wall for securing the mount. Mark two locations at the top of the wall plate and one location at the bottom of the wall plate (see Fig. 3).

3. Set the wall plate aside and drill a 10 mm (3/8") hole at each marked location. Remove any excess dust from the holes.
4. Insert a concrete anchor (C) into each hole so that it is flush with the concrete surface (see Fig. 4). A hammer can be used to lightly tap the anchors into place if necessary.

NOTE: If the concrete wall is covered by a layer of plaster or drywall, the concrete anchor must pass completely through the layer to rest flush with the concrete surface.

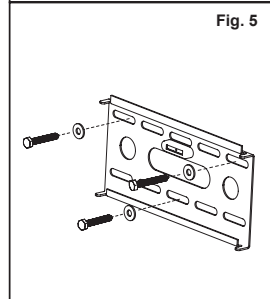
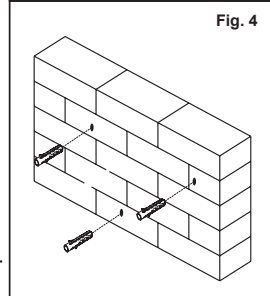
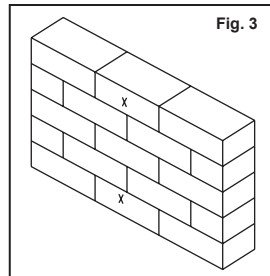
5. Place the wall plate back against the wall and attach it using the lag bolts (A) and lag bolt washers (B) provided (see Fig. 5). **Do not over-tighten these bolts and do not release the wall plate until all bolts are in place.** Ensure that the wall plate remains level after all bolts are secured.

Part 2 – Attaching the Mount Arms to the Display

IMPORTANT! Use extra care during this part of the installation. If possible, avoid placing your display facedown as it may damage the viewing surface.

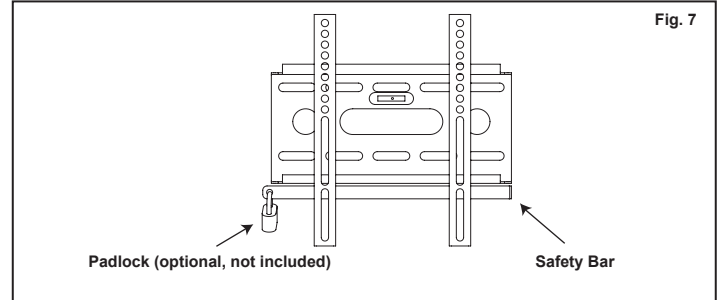
NOTE: This mount comes with a selection of different screw diameters and lengths to accommodate a wide variety of display models. Not all of the hardware in the kit will be used. If you cannot find the appropriate screw size in the kit provided, consult the manufacturer of your display for more information.

1. Determine the correct length of screw to use by examining the back of your display:
 - a). If the back of your display is flat and the mounting holes are flush with the surface, you will use the shorter screws (D or F) from the hardware kit.
 - b). If the back of your display is curved, has a protrusion, or if the mounting holes are recessed, you will need to use the longer screws (E or G) and may also need to use the spacers (I).
2. Determine the correct diameter of screw to use by carefully trying one of each size (M4 and M6) from the hardware kit. **Do not force any of the screws – if you feel resistance stop immediately and try a smaller diameter screw.**
3. Attach the mount arms to the back of your display using the screws identified in steps 1 and 2 along with the M6 washers (H) (see Fig. 6). If you are using the longer screws on a display with a curved or recessed back, you may also need to use the spacers (I). **Only use a spacer if necessary.**



on the wall plate. **Do not release the display until the mount arms have securely hooked onto the wall plate.**

2. Insert the safety bar at the bottom of the mount to prevent the display from being lifted from the wall plate. A padlock can be inserted into the end of the bar to help prevent theft of your display (see Fig. 7). **IMPORTANT!** The safety bar should be used at all times to prevent the display from being accidentally knocked from the mount.
3. Periodically clean your mount with a dry cloth. Inspect all screws and hardware at regular intervals to ensure that no connections have become loose over time. Re-tighten as needed.



THE SOURCE – WARRANTY

The Source warrants that this product will be free from defects in materials and workmanship for a period of three (3) years from the date of purchase. Within this period, simply take the product and your proof of purchase to any The Source store or participating dealer and the product will be replaced (where available) without charge. Any product which has been subject to misuse or accidental damage is excluded from this warranty.

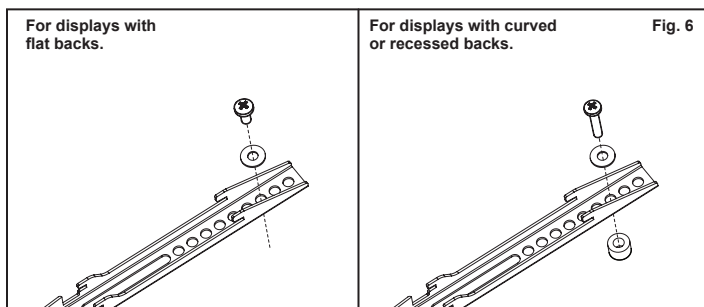
This warranty is only applicable to a product purchased through The Source company-owned stores or participating dealers in Canada where the warranty is included with the product. While this warranty does not confer any legal rights other than those set out above, you may have additional statutory rights which will vary under the laws of the various countries, states, provinces and other governmental entities in which The Source operates. This warranty is subject to all statutory rights you may have in Canada.

Imported by The Source
Barrie, Ontario, Canada, L4M 4W5
Manufactured in China
For product support please visit www.thesource.ca

© 2016 The Source
All rights reserved.



Please Recycle



Part 3 – Final Assembly

1. With the help of another person, carefully lift your display and place it