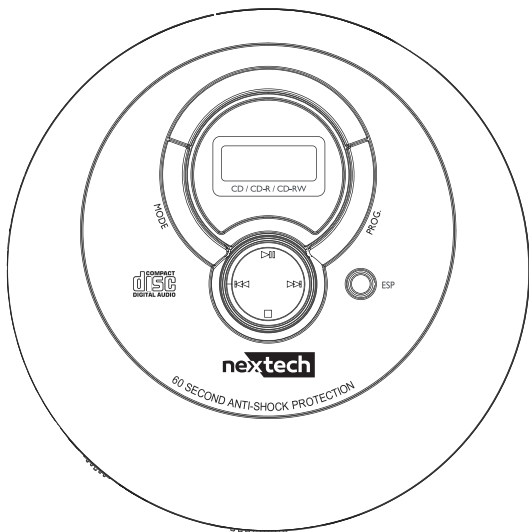


**nextech**™

8018167

# PORTABLE CD PLAYER WITH ANTI-SHOCK



PLEASE READ THIS OPERATING MANUAL COMPLETELY  
BEFORE OPERATING THIS UNIT AND RETAIN THIS LEAFLET  
FOR FUTURE REFERENCE.

# WARNINGS



The exclamation point within the triangle is a warning sign alerting the user of important instructions accompanying the product.



The lightning flash with an arrowhead symbol within the triangle is a warning sign alerting the user of “dangerous voltage” inside the unit.



To reduce the risk of electric shock do not remove the cover. No user serviceable parts inside the unit. Refer all servicing to qualified personnel.



This unit employs a laser. Only a qualified service person should remove the cover or attempt to service this device, due to possible eye injury.



In visible laser radiation when the unit is opened or interlocks defeated. Avoid exposure to laser beam. Use of controls, adjustments or procedures other than those specified may result in hazardous radiation exposure.



This unit must not be exposed to moisture or rain.



Do not expose this unit to direct sunlight or heat radiating sources.



Make sure all batteries are inserted according to the proper polarity. Do not mix old batteries with new ones.

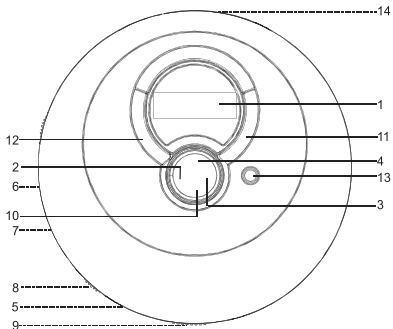


If the unit is not used for a long period of time (more than 1 month), remove all batteries from their compartment to avoid possible leaking.

## ATTENTION!

Extended listening at high volumes can cause damage to hearing.

# FUNCTIONS AND CONTROLS



- |                               |   |
|-------------------------------|---|
| 1. DISPLAY WINDOW             | LCD function display  |
| 2. ⏮ SKIP-/SEARCH             | Skip or fast search tracks backward                                     |
| 3. ⏭ SKIP+/SEARCH             | Skip or fast search tracks forward                                      |
| 4. ▶⏸ POWER ON/PLAY/<br>PAUSE | Turns the set on, starts and interrupts CD play                         |
| 5. DBBS SWITCH                | Set DBBS ON/OFF   |
| 6. LINE OUT JACK              | Connect to an external amplifier  |
| 7. PHONE JACK                 | 3.5mm headphone jack  |
| 8. VOLUME                     | Adjusts the volume  |
| 9. OPEN SWITCH                | Opens the CD lid  |
| 10. ■ STOP                    | Stops CD play, erases a program and turns the unit off                  |
| 11. PROGRAM                   | Selects the program mode or enters the program                          |
| 12. MODE                      | Selects between different playing modes: REPEAT1/<br>ALL, INTRO, RANDOM |
| 13. ESP                       | Set Anti-Shock Protection on/off  |
| 14. DC INPUT JACK             | Jack for 4.5V external power supply                                     |

# POWER SUPPLY

Power your CD player by inserting 2 size "AA" fresh alkaline batteries or by connecting an optional AC ADAPTER.

## 1. Batteries (not supplied)

Inserting batteries

Open the battery compartment and insert 2 alkaline batteries.

Follow the polarity as indicated in the battery compartment.

Notes:

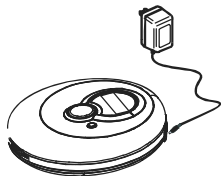
- Old and new or different types of battery combination should not be used
- Remove batteries if they are low or if the unit will not be used for a long time
- Batteries contain chemical substance so they should be disposed of properly

## 2. Power adapter (not supplied)

Connect the power adapter to the 4.5V DC jack of the player and to the wall outlet.

Note:

- Make sure the local voltage corresponds to the adapter's voltage
- Always disconnect the adapter when you are not using it.  
When batteries are in low condition, replace them or connect the AC power adapter (not supplied)



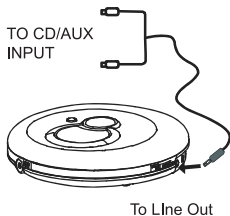
# CONNECTIONS

## Line out

You can connect the CD player to another audio player.

E.g. amplifier, stereo system, radio cassette recorder, etc., using the LINE OUT jack.

1. Turn down the volume on the audio player.
2. Connect the audio signal cable (not supplied) to the LINE OUT jack of the CD player and the CD IN, AUX IN or LINE IN jack of the audio player.
3. To adjust the sound and volume, use the controls on the audio player.



# USING EARPHONES

## Connecting the earphones

- Connect the earphone into the PHONE (GREEN) socket

## Safety tips when using earphones

### • Hearing safety:

Do not play your headset at a high volume. Hearing experts advise against continuous extended play. If you experience a ringing in your ears, reduce the volume or discontinue use.

### • Traffic safety:

Do not use while operating a motorized vehicle. It may create a traffic hazard and it is illegal in some areas. You should use extreme caution or temporarily discontinue use in potentially hazardous situations. Even if your headset is an open-air type designed to let you hear outside sounds, do not turn up the volume so high that you cannot hear what is around you.

# PLAYING A CD

This CD player plays **Audio CDs** such as CDRs and CDRWs.

1. Slide the CD DOOR OPEN switch to open the CD door.
2. Insert an audio CD, printed side up, by pressing gently on the CD center so that it fits onto the hub. Close the lid by pressing it down.
3. Press the PLAY/PAUSE ►|| button for approximately 1 second to turn the set on and start playback. The current track number and the elapsed playing time are displayed. It will take approx. 5 seconds for a CD to begin playback.
  - You can interrupt playback by pressing the PLAY/PAUSE ►|| button.  
The time where playback was interrupted flashes
  - Continue playback by pressing the PLAY/PAUSE ►|| button again
4. Press the STOP ■ button to stop playback. The total number of tracks and the total playing time of the CD are displayed.
5. Press the STOP ■ button again to turn off the unit.
6. To remove the CD, hold it by its edge and press the hub gently while lifting the CD.
  - When the unit is turned on, the "ESP" function is active automatically. "ESP" is displayed  
If the ESP function is not required, press the ESP button to turn it off
  - If a CD Rewritable (CD Recordable) is not recorded properly (finalized), "Er" is displayed
  - Playback will stop if you open the CD lid
  - While the CD is being read, "- -" is displayed

## Volume adjustment

- Adjust the volume level by using the rotary volume button



# FEATURES

## Selecting a track and searching

### Selecting a track during playback

- Briefly press +SKIP / SEARCH ►► or -SKIP / SEARCH ◄◄ button once or several times to skip to the current, previous or subsequent track. Playback continues with the selected track

### Selecting a track when playback is stopped

- Briefly press +SKIP / SEARCH ►► or -SKIP / SEARCH ◄◄ button once or several times. The selected track number is displayed.
- Press the PLAY / PAUSE ►|| button to start CD play. The playback starts with the selected track.

### Searching for a passage during playback

- Press and hold +SKIP / SEARCH ►► or -SKIP / SEARCH ◄◄ button to find a particular passage in a backward or forward direction. Search starts and playback continues at a low volume. After 2 seconds the search speeds up.
- Release the button when you reach the desired passage. Normal playback continues from this position.

Note:

During INTRO, searching is not possible.

# FEATURES

## Programming track numbers

You can select up to 20 tracks and store them in the memory in a desired sequence.

- While the unit is stopped, press the PROG. button. PROGRAM indicator "00" lights up and "PROG. P-01" is displayed.
- Select a track with SKIP+/- button ►► / ◄◄, and then press the PROG. button once to store the desired track.
- Repeat step 2 to select and store additional desired tracks.
- Press the PLAY / PAUSE ►|| button to start playback of the selected tracks.

Note:

You can also edit the program with the PROG. button.

- If you press PROG. in stop mode and there is no track selected after 30 seconds, the CD player will be switched off
- If you press PROG. in play mode and there is no track selected after 30 seconds, the CD player will resume previous playback

## Erasing the program

If necessary, during playback press the STOP ■ button twice to power off the unit. The program will automatically be erased. The program will also be erased if the CD is changed.

## ESP

This player incorporates the latest digital anti-shock circuit, which prevents interruption of the sound output if the unit is subject to shock or vibration during disc playback. The anti-shock system will automatically start when a disc is played. To turn off this function press the ESP button.

## Selecting different playing options – MODE

It is possible to play tracks in random order, to repeat a track or a CD and to play the first few seconds of each track.

1. Press MODE during playback once or repeatedly until the display shows either:
  - **REPEAT 1**: The current track is played repeatedly. "↔ 1" is displayed.
  - **REPEAT ALL**: The entire CD is played repeatedly. "↔ ALL" is displayed.
  - **"INTRO"**: The first 10 seconds of each track are played in sequence. "INTRO" is displayed.
  - **RANDOM**: All tracks of the CD are played in random order until all of them have been played once. "RAND" is displayed.
2. To select "INTRO" and "RANDOM" mode, press the PLAY/PAUSE ►|| button.
3. To return to normal playback, press MODE until the mode feature display indication disappears.

## SPECIAL FUNCTIONS

### Auto power off

When the unit is stopped (standby mode) for approximately 30 seconds, the Auto Poweroff function will activate and turn the unit off automatically.

### Anti-shock Function

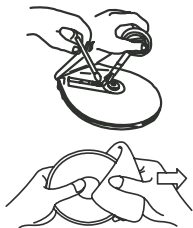
- If in use, the player is likely to receive shocks or vibrations (i.e. while walking or in a moving vehicle). As soon as the PLAY/PAUSE ►|| button is pressed, the ESP function is automatically activated to allow uninterrupted playback. "ESP" will flash in the display. When "ESP" stops flashing, the data buffer is full
- Should the player receive shocks for more than 60 seconds continuously in CD playback, the sound may mute for a very short while and resume once the player has stabilized from the shock
- To disable ANTI-SHOCK function, press ESP button until "ESP" disappears

## Notes:

- When using the Anti-shock function, the disc will rotate faster than normal playback and memory is active. Only use the ANTI-SHOCK function when necessary to preserve the battery life
- Anti-shock function will not correct the errors arising from the use of defective scratched or dirty discs

## CD player and CD handling

- Do not touch the lens of the player
- Do not expose the set, batteries or CDs to humidity, rain, sand or excessive heat (caused by heating equipment or direct sunlight)
- You can clean the CD player with a soft, slightly dampened lint-free cloth. Do not use cleaning agents as they may have a corrosive effect
- To clean the CD, wipe it in a straight line from the center toward the edge using a soft, lint-free cloth. A cleaning agent may damage the disc! Never write on a CD or attach a sticker to it
- Playing is not possible when the lens fogs over when the unit is moved suddenly from cold to warm surroundings. Leave the CD player in a warm environment until the moisture evaporates
- Active mobile phones in the vicinity of the CD player may cause malfunctions
- Avoid dropping the set as this may cause damage



# SPECIFICATIONS

## Audio

D/A conversion	1-bit DAC, 8 times oversampling
Frequency response	20-20,000Hz
Anti-shock	60 seconds CD memory
No. of channels	2 channels (stereo)
Output level	Line output: 0.6V rms (47K0hm) Earphone: 15mW (32 Ohm)

## General

Power requirements	2 x LR6/ UM-3 / "AA" alkaline battery DC in 4.5V jack accepts AC power adapter (center positive)
Power consumption	0.8W (DC 3V)

**Note:** Specifications and the design are subject to possible modifications without notice.



## The FCC Wants You to Know

This equipment has been tested and found to comply with the limits for a Class B digital device, pursuant to Part 15 of the FCC Rules. These limits are designed to provide reasonable protection against harmful interference in a residential installation.

This equipment generates, uses and can radiate radio frequency energy and, if not installed and used in accordance with the instructions, may cause harmful interference to radio communications. However, there is no guarantee that interference will not occur in a particular installation.

If this equipment does cause harmful interference to radio or television reception, which can be determined by turning the equipment off and on, the user is encouraged to try to correct the interference by one or more of the following measures:

- Reorient or relocate the receiving antenna
- Increase the separation between the equipment and receiver
- Connect the equipment into an outlet on a circuit different from that to which the receiver is connected
- Consult the dealer or an experienced radio/TV technician for additional suggestions

Any changes or modifications not expressly approved by the party responsible for compliance could void the user's authority to operate the equipment. Where shielded interface cables have been provided with the product or specified additional components or accessories elsewhere defined to be used with the installation of the product, they must be used in order to ensure compliance with FCC regulation.

**CAN ICES-3(B).**

## THE SOURCE – WARRANTY



The Source warrants that this product will be free from defects in materials and workmanship for a period of (1) year from the date of purchase. Within this period, simply take the product and your proof of purchase to any The Source store or participating dealer and the product will be replaced (where available) without charge. Any product which has been subject to misuse or accidental damage is excluded from this warranty. This warranty is only applicable to a product purchased through The Source company-owned stores or participating dealers in Canada where the warranty is included with the product. While this warranty does not confer any legal rights other than those set out above, you may have additional statutory rights which will vary under the laws of the various countries, states, provinces and other governmental entities in which The Source operates. This warranty is subject to all statutory rights you may have in Canada.

Imported by:  
The Source,  
Barrie, Ontario, Canada, L4M 4W5  
Manufactured in China  
[www.thesource.ca](http://www.thesource.ca)



Please Recycle

© 2017 The Source  
All rights reserved.