



HEADRUSH™



CD Alarm Clock Radio

HRCR 513

Owner's Manual

Important Safety Instructions

TO PREVENT FIRE OR SHOCK HAZARD, DO NOT USE THIS PLUG WITH AN EXTENSION CORD, RECEPTACLE OR OTHER OUTLET UNLESS THE BLADE SCAN BE FULLY INSERTED TO PREVENT BLADE EXPOSURE. TO PREVENT FIRE OR SHOCK HAZARD, DO NOT EXPOSE THIS APPLIANCE TO RAIN OR MOISTURE.

 <p>The lightning flash with arrowhead symbol, within an equilateral triangle is intended to alert the user to the presence of uninsulated dangerous voltage within the product's enclosure that may be of sufficient magnitude to constitute a risk of electric shock to persons.</p>	<p style="text-align: center;">CAUTION</p> <p style="text-align: center;">RISK OF ELECTRIC SHOCK DO NOT OPEN</p> <p>WARNING: TO REDUCE THE RISK OF ELECTRIC SHOCK DO NOT REMOVE COVER (OR BACK), NO USER SERVICEABLE PARTS INSIDE. REFER SERVICING TO QUALIFIED SERVICE PERSONNEL.</p>	 <p>The exclamation point within an equilateral triangle is intended to alert the user to the presence of important operating and maintenance (servicing) instructions in the literature accompanying the appliance.</p>
---	--	---

CAUTION!

HAZARDOUS LASER RADIATION WHEN OPEN AND INTERLOCK FAILED OR DEFEATED. AVOID EXPOSURE TO BEAM



CLASS 1 LASER PRODUCT

LASER SAFETY:

This unit employs a laser. Only qualified service personnel should attempt to service this device due to possible eye injury.

Before using the product, be sure to read all operating instructions carefully. Please note that these are general precautions and may not pertain to your particular product. For example, this product may not have the capability to be connected to an outdoor antenna.

1. **READ INSTRUCTIONS-**
All the safety and operating instructions should be read before the product is operated.
2. **RETAIN INSTRUCTIONS-**
The safety and operating instructions should be retained for future references.
3. **HEED WARNINGS-**
All warnings on the product and in the operating instructions should be adhered to
4. **FOLLOW INSTRUCTIONS-**
All operating and user instructions should be followed.
5. **DO NOT USE THIS PRODUCT NEAR WATER-**
Do not use this product near water (a bathtub, washbowl, kitchen sink, laundry tub, wet basement, or swimming pool for example).
6. **CLEANING-**
Unplug this product from the wall outlet before cleaning. DO NOT use liquid cleaners or aerosol cleaners. Use a dry cloth for cleaning.
7. **ATTACHMENTS-**
DO NOT use attachments not recommended by the product manufacturer.
8. **ACCESSORIES-**
Do not place this product on an unsuitable cart, stand, tripod, bracket, or table. The product may fall, causing serious injury and serious damage to the product.
- 8A. Use only with the cart, stand, tripod, bracket, or table specified by the manufacturer, or sold with the product. When a cart is used, use caution when moving the cart and product to avoid injury from tip-over.
9. **VENTILATION -**
DO NOT block any ventilation openings. Install in accordance with manufacturer's instructions. Do not install near any heat sources such as radiators, heat registers, stoves or other product (including amplifiers) that produce heat.
10. **POWER SOURCES-**
This product should be operated only from the type of power source indicated on the marking label. If you are not sure of the type of power supply to your home, consult your appliance dealer or local power company. For products intended for operation from battery power, or other sources, refer to the operating instructions.
11. **GROUNDING OR POLARIZATION -**
This product may be equipped with a polarized alternating current line plug (a plug having one blade wider than the other). This plug will fit the power outlet only one way. This is a safety feature. If you are unable to insert the plug fully into the outlet, try reversing the plug. If the plug should still fail to fit, contact your electrician to replace your obsolete outlet. DO NOT defeat the safety purpose of the polarized plug.
12. **POWER CORD PROTECTION -**
Power supply cords should be routed so that they are not likely to be walked on or pinched by items placed upon or against them. Pay particular attention to cords at plugs, convenience receptacles, and the POINT WHERE THEY EXIT FROM THE PRODUCT.



Important Safety Instructions

13. LIGHTNING -

Unplug this product during a lightning storm, or when unused for a long period of time.

14. POWER LINES -

An outside antenna system should not be located in the vicinity of overhead power lines or other electric light or power circuits, or where it can fall into such power lines or circuits. When installing an outside antenna system, extreme care should be taken.

15. OVERLOADING -

Do not overload wall outlets and extension cords as this can result in a risk of fire or electric shock.

16. OBJECT AND LIQUID ENTRY (cUL Standards)-

This product should not be exposed to dripping or splashing and objects filled with liquid, such as vases, should not be placed on this product.

17. OUTDOOR ANTENNA GROUNDING -

If an outside antenna is connected to the product, be sure that the antenna system is grounded so as to provide some protection against voltage surges and build-up of static charges. Section 810 of the National Electric Code, ANSI/NFPA 70, provides information with respect to proper grounding of the mast and supporting structure, grounding of the lead-in wire, to the antenna discharge product, size of grounding conductors, location of antenna discharge product, connection to grounding electrodes, and requirements for grounding electrodes.

18. SERVICING -

Refer all servicing to qualified service personnel. Servicing is required when the product has been damaged in any way, such as the power-supply cord or plug being damaged, liquid spillage, or objects falling on or into the product, or if it has been exposed to rain or moisture or it has been dropped - anything that causes the apparatus to not operate normally.

19. REPLACEMENT PARTS -

When replacement parts are required, be sure the service technician has used replacement parts specified by the manufacturer or have the same characteristics as the original part.

UNAUTHORIZED substitution may result in fire, electric shock or other hazards.

20. SAFETY CHECK -

Upon completion of any service or repair to this product, ask the service technician to perform safety checks to determine that the product is in proper operating condition.

21. MOUNTING -

DO NOT place this product on an unstable cart, stand, tripod, bracket, or table. The product may fall, causing serious injury to a child or adult, and serious damage to the product. Use only with a cart, stand, tripod, bracket or table recommended by the manufacturer or sold with the product. Any manufacturer's instructions, and should use a mounting accessory recommended by the manufacturer.

22. DAMAGES REQUIRING SERVICE -

Unplug this product from the wall outlet and refer servicing to qualified service personnel under the following conditions :

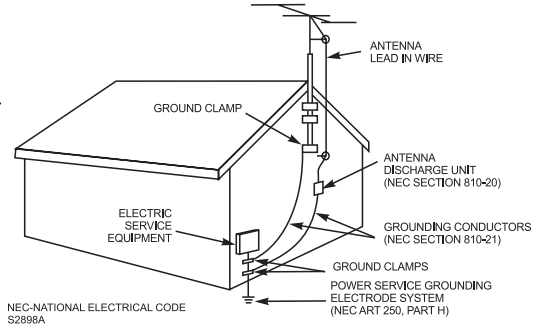
- (a). When the power-supply cord or plug is damaged.
- (b). If liquid has been spilled, or objects have fallen onto the product.
- (c). If the product has been exposed to rain or water.
- (d). If the product does not operate normally after following the operating instructions. Adjust only those controls that are covered by the operating instructions as an improper adjustment of other controls may result in damage and will often require extensive work by a qualified technician to restore the product to its normal operation.
- (e). If the product has been dropped or damaged in any way.
- (f). When the product exhibits a distinct change performance - this indicates a need for service.

23. HEAT -

The product should be situated away from heat source such as radiators, heat registers, stoves or other products (including amplifiers) that produce heat.

24. NOTE TO CABLE SYSTEM INSTALLER -

This reminder is provided to call the Cable System Installer's attention to Article 820-40 of the NEC that provides guidelines for proper grounding and, in particular, specifies that the cable ground shall be connected to the grounding system of the building, as close to the point of cable entry as practical.



**EXAMPLE OF ANTENNA GROUNDING AS PER
NATIONAL ELECTRICAL CODE**

Contents

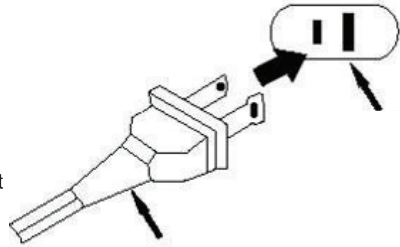
Installation	4
Battery precautions	4
Location of Controls	5
General Operating Instructions	6
Power Source	6
AC Operation	6
Radio Operation	6
Basic CD Operation	6
Advanced CD Operation	6
Random Playback	7
Repeat Function	7
CD Program Playback	7
Dimmer Function	7
Battery Power Operation for Back-up Clock	7
Clock/Alarm Settings	8
Setting the Clock	8
Setting the Alarm	8
Snooze Function	8
Sleep Function	8
Disc Cleaning and Maintenance	9
Handling CDs	9
Storage	9
Cleaning	9
Troubleshooting	10
Technical Specifications	10
FCC	11
Warranty	11

Installation

SURGE PROTECTORS:

It is recommended to use a surge protector for AC connection. Lightning and power surges ARE NOT covered under warranty for this product.

Unravel the AC cord and connect it to a conveniently located AC outlet having 120V and 60Hz only. The Clock Display will illuminate and "12:00" will appear in the window. NOTE: If the AC plug does not fit into a nonpolarized outlet, do not file or cut the wide blade. It is the user's responsibility to have an electrician replace the obsolete outlet.

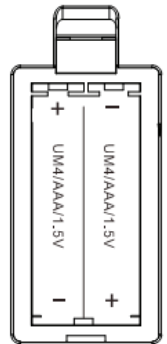


If the AC cord is disconnected or if there is a power failure, this electronic clock is designed to continue operating internally (without showing the time on the Clock Display) with 2 x AAA batteries (not included). We recommend InfiniCell batteries for maximum performance. To install the battery, press and lift open the compartment cover. Connect the battery to the terminals of the battery snap inside the compartment (use of an alkaline battery is recommended) and snap the battery compartment cover back into place.

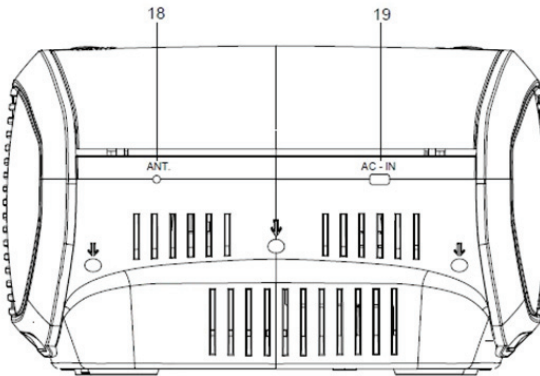
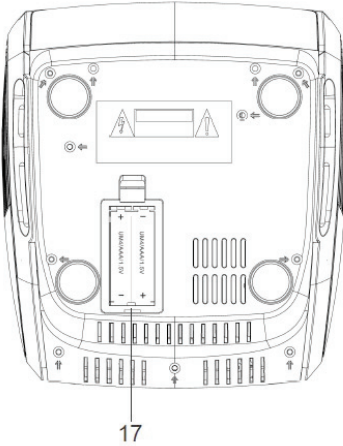
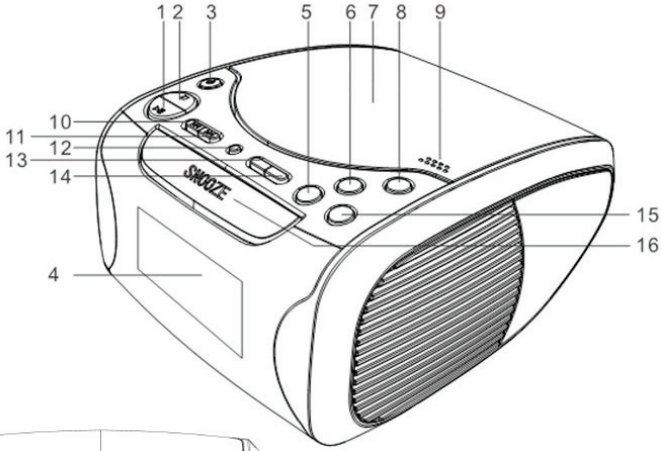
Battery Precautions

Follow these precautions when using a battery in this device:

1. Use only the size and type of battery specified.
2. Be sure to follow the correct polarity when installing the battery as indicated in the battery compartment. A reversed battery may cause damage to the device.
3. If the device is not to be used for a long period of time, remove the battery to prevent damage or injury from possible battery leakage.
4. Do not try to recharge a battery not intended to be recharged; it can overheat and rupture. (Follow battery manufacturer's directions.)



Identifying the Parts



1. PLAY/PAUSE/BAND
2. STOP/PRESET BUTTON
3. STANDBY ON/OFF BUTTON
4. DISPLAY
5. INFO BUTTON
6. REPEAT/PROG BUTTON
7. CD DOOR
8. FUNCTION BUTTON
9. OPEN/CLOSE DOOR RELEASE
10. REV/TUN- BUTTON
11. FWD/TUN+ BUTTON
12. TIME-SET BUTTON
13. AL 1-SET/VOL- BUTTON
14. AL 2-SET/VOL+ BUTTON
15. SLEEP/RANDOM BUTTON
16. SNOOZE/DIMMER BUTTON
17. BATTERY COMPARTMENT
18. ANTENNA
19. AC IN/POWER CABLE

Operating Instructions

Power Source

This unit operates from AC120V/60Hz line power supply.

AC Operation

Connect AC Power Cord to a wall outlet with AC120V/60Hz power supply.

Radio Operation

1. Power the unit ON in STANDBY mode by pressing the STANDBY ON/OFF button. The default mode is RADIO, if the unit was already ON, and in CD mode, you will need to press the FUNCTION button to switch to the RADIO mode.
2. Set the band to either AM or FM by pressing the PLAY/PAUSE/BAND button while in RADIO mode.
3. To tune a station, press either REV/TUN- or FWD/TUN+ buttons to skip up or down the frequency range. Press and hold either button to fast search up or down the frequency range. When a station is found the search will stop and the station will begin playback.
4. Use the AL 1/VOL- or AL 2/VOL+ buttons to adjust the volume level.

Note: To improve FM reception you can relocate the antenna cable. To improve AM reception the unit will need relocating to an area with better reception.

Note II: The display will show the current time if it is in radio mode and there are no actions for a few seconds. Press the INFO button, to show the radio channel frequency on the display.

YOU CAN STORE UP TO 10 PRESET RADIO STATIONS PER RADIO BAND.

1. While listening to a tuned radio station, press and hold the STOP/PRESET button to display the preset location option. Use the REV/TUN- and FWD/TUN+ buttons to cycle through the available preset locations 1-10.
2. When the location is selected press the STOP/PRESET button once more to store the current station in the selected preset location.
3. To recall a preset station press the STOP/PRESET button use the REV/TUN- and FWD/TUN+ buttons to cycle through the available preset locations 1-10. When the correct location is selected leave all buttons untouched for 2 seconds to begin playback.

Basic CD Operation

1. Power the unit ON in STANDBY mode by pressing the STANDBY ON/OFF button. The default mode is RADIO, press the FUNCTION button to switch to CD mode.
2. Open the CD door by pressing the OPEN/CLOSE door release button. Insert a CD with the label facing upwards and close the door.
3. The unit will read the disc and display the total number of tracks found on the disc on the display.
4. To begin playback, press the PLAY/PAUSE/BAND button. The first track on the disc will play.
5. To pause playback, press the PLAY/PAUSE/BAND button once more. Pressing again resumes playback.
6. Press the STOP button to stop playback.
7. Use the AL 1/VOL- or AL 2/VOL+ buttons to adjust the volume level.

Note: The display will show the current time if it is playing a CD and there are no actions for a few seconds. Press the INFO button, to show the track number on the display.

Operating Instructions

Advanced CD Operation

1. Press the FWD/TUN+ button to skip to the next track. Press and hold to fast forward the current track. Release the button to resume normal playback.
2. Press the REV/TUN- button to skip to the previous track. Press and hold to fast rewind the current track. Release the button to resume normal playback.

Random Playback

1. Press and hold the SLEEP/RDM button during playback for 2 seconds and then release. You will see the letters RDM appear on the display to indicate RANDOM mode is active.
2. If you enable the function during playback the next track will begin in the random order.
3. To cancel the RANDOM playback mode, press and hold the SLEEP/RDM button for 2 seconds and release again. The letters RDM will disappear from the display to indicate the function has been cancelled.

Repeat Function

1. Before or during playback, press the REPEAT/PROG button to repeat a single track indefinitely. You will see REP blinking on the display when active.
2. To repeat all tracks on the disc, press the REPEAT/PROG button twice (or once more if you have already activated the REPEAT ONCE function). You will see REP (not blinking) on the display to indicate the REPEAT ALL function is active.
3. To cancel any repeat modes, press the REPEAT/PROG button once more (if in REPEAT ALL mode or twice if in REPEAT ONCE mode). The letters REP will disappear from the display.

CD Program Playback

Note: You can only program a playback sequence while the disc is in STOP mode.

1. Press and hold the REPEAT/PROG button. You will see P01 appear on the display to indicate the program function has been initiated.
2. Use the FWD/TUN+ and REV/TUN- buttons to select the track you want to play in slot No 1.
3. Press the REPEAT/PROG to store the selected track in slot no. 1. The display will now display P02 to invite you to select the track for slot no. 2.
4. Repeat steps 2 to 3 for every track you wish to program up to a maximum of 20 tracks. If you try to program more than 20 tracks the display will show "FUL" to indicate the program maximum has been filled.
5. Press the PLAY/PAUSE/BAND button to begin the programmed sequence playback.
6. Should you wish to cancel the programming, you can press the STOP button to resume normal function.

Dimmer Function

There are two possible states for the display brightness.

1. Press the SNOOZE/DIMMER button repeatedly to cycle between HI or LO brightness.

Battery Power Operation for Back-Up Clock

1. Open the battery compartment (For clock back up) on the underside of the unit.
2. Insert two "AAA", 1.5V batteries (not included). We recommend InfiniCell batteries for maximum performance. Follow the polarity as indicated in the compartment. Alkaline batteries are recommended for longer use and are for memory back-up when the AC Power supply is interrupted. The time and alarm setting information will be lost when the battery is removed.

Alarm Clock Settings

This unit allows you to set two different wake up times with the ALARM 1 and ALARM 2 buttons.

Clock/Alarm Setting

SETTING THE CLOCK

Clock MUST be set in STANDBY mode. If the unit is playing, press the STANDBY button.

1. Press the TIME-SET button to enter the time setting mode, press the REV/TUN- or FWD/TUN+ button to select 12 or 24 hour clock mode.
2. Press and hold the TIME-SET button until the HOUR digits on the display flash. Press the FWD/TUN+ or REV/TUN- buttons to set the hours. Press the TIME-SET button to proceed to the minutes and use the FWD/TUN+ or REV/TUN- buttons to set.
3. Once set press the TIME-SET button to complete the time setting.

SETTING THE ALARMS

The unit is equipped with two alarms. Both alarms MUST be set in STANDBY mode. If the unit is playing press the STANDBY button (#3).

1. Press the AL1/VOL- (#13) or AL2/VOL+ (#14) button to display the current time setting for each alarm.
2. Press again to enable or disable the alarm depending on the current setting. When ALARM1 or ALARM2 is displayed the alarm is active.
3. Press and hold either alarm button (#13/14) to enter the alarm setting mode. The HOUR digits on the display will flash.
4. Press the FWD/TUN+ or REV/TUN- buttons (#11,10) to set the hours. Press the relevant AL1/VOL or AL2/VOL+ button to proceed to the minutes and use the FWD/TUN+ or REV/TUN- buttons to set.
Note: Pressing and holding the FWD/TUN+ or REV/TUN- buttons speeds up the digit cycling.
5. Once you have set the alarm time press the relevant button for the alarm you are setting eg:- AL1/VOL- or AL2/VOL+ to proceed to the alarm type setting.
6. Use the FWD/TUN+ or REV/TUN- buttons to cycle through the alarm type options of CD (cd), RADIO (rad) & BUZZER (bu). Once selected press the relevant button for the alarm you are setting eg:- AL1/VOL- or AL2/VOL+ to proceed to the alarm volume setting.
7. The volume level of the CD and RADIO alarms can be adjusted by using the FWD/TUN+ or REV/TUN- buttons. Once selected, press the relevant button for the alarm you are setting eg: L1/VOL- or AL2/VOL+ to confirm.
Note: The alarm will sound for 1 hour and then switch OFF.
Note II: The volume level for the BUZZER alarm is preset and cannot be changed.
8. When sounding, the relevant icon for ALARM 1 or ALARM 2 will flash on the display.
9. To turn off the alarm while sounding, press any button except the SNOOZE button.

Snooze Function

1. When the alarm sounds, pressing the SNOOZE button mutes the alarm for 9 minutes.
2. The word SNOOZE will appear on the display and ALARM1 or 2 will flash to indicate SNOOZE mode is active.
3. The SNOOZE mode can be activated as many times as you require.
4. To turn OFF the alarm while sounding, press any button except the SNOOZE button.

Sleep Function

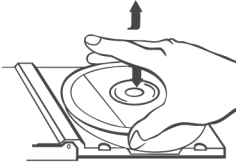
TO ACTIVATE THE SLEEP FUNCTION

Should you wish to leave the unit playing for a specified duration before switching OFF, follow the steps below.

1. For the Sleep timer to work you need to ensure you are not in STANDBY mode. Press the SLEEP/RDM button to display the first sleep duration of 90 minutes, pressing repeatedly will display 60 minutes, 30 minutes, 15 minutes and lastly another press will switch OFF the timer.
2. After selecting a sleep duration the unit will play whatever mode you select eg:- Radio or CD for the specified time and then switch to STANDBY mode.
Note: The word "SLEEP" will appear on the display to indicate the mode is active.
3. To see how long is left on the sleep timer, you can press the SLEEP/RDM button to show how many minutes are remaining.

Handling CDs

- Remove the CD from its cover.
- Do not touch the surfaces.
- Do not attach stickers to CDs and do not write on them.
- Do not bend CDs.



Storage

- Always store CDs in their cover.
- Do not subject CDs to direct sunlight, dirty, dusty and damp areas or car heaters.

Cleaning

- Clean CDs with a soft cloth.
- Clean CDs from the center to the edge.

FROM THE CENTRE TO THE EDGE



CORRECT



INCORRECT

Troubleshooting

To solve common problems, read and follow the troubleshooting list. If you still cannot solve the problem, consult your nearest service dealer.

PROBLEM	POSSIBLE CAUSE	SOLUTION
Unit will not turn ON	AC cord not connected.	Check AC cord connection.
Disc will not play	CD compartment door not closed. Disc inserted incorrectly. Dirty or defective CD. Moisture condensation on disc.	Close CD compartment door. Reinsert disc correctly. Try another disc. Wipe disc with soft cloth.
No sound	VOLUME control set to minimum. Defective disc.	Increase volume. Try another disc.
Erratic playback	Dirty or defective disc.	Clean or replace disc.
Time reset to "12:00"	Battery connected improperly, not connected or drained. Clock not set.	Check the battery. Set the clock.
Alarm does not turn on	ALARM MODE switch is not in the correct position. Clock is not set. Alarm time is not set.	Press AL1 or AL2 SET button to activate alarm. Set the clock. Set the alarm time.
AM or FM, no sound	Power is not ON. VOLUME control set to minimum.	Press the POWER button. Increase volume.

Technical Specifications

GENERAL

Power supply:	AC 120 V, 60 Hz
Power consumption:	12 W
Back-up battery:	DC 3V (2 x AAA battery 1.5V) (not included)

RADIO

Frequency band:	FM 88 - 108 MHz AM 530 - 1710 kHz
Antenna:	FM pigtail antenna AM built-in antenna

CD PLAYER

Playback system:	Compact disc digital audio system
------------------	-----------------------------------

The FCC Wants You to Know

This equipment has been tested and found to comply with the limits for a Class B digital device, pursuant to Part 15 of the FCC Rules. These limits are designed to provide reasonable protection against harmful interference in a residential installation.

This equipment generates, uses and can radiate radio frequency energy and, if not installed and used in accordance with the instructions, may cause harmful interference to radio communications. However, there is no guarantee that interference will not occur in a particular installation.

If this equipment does cause harmful interference to radio or television reception, which can be determined by turning the equipment off and on, the user is encouraged to try to correct the interference by one or more of the following measures:

- Reorient or relocate the receiving antenna.
- Increase the separation between the equipment and receiver.
- Connect the equipment into an outlet on a circuit different from that to which the receiver is connected.
- Consult the dealer or an experienced radio/TV technician for additional suggestions.

Any changes or modifications not expressly approved by the party responsible for compliance could void the user's authority to operate the equipment. Where shielded interface cables have been provided with the product or specified additional components or accessories elsewhere defined to be used with the installation of the product, they must be used in order to ensure compliance with FCC regulation.

CAN ICES-3(B).

THE SOURCE – WARRANTY



The Source warrants that this product will be free from defects in materials and workmanship for a period of (1) year from the date of purchase. Within this period, simply take the product and your proof of purchase to any The Source store or participating dealer and the product will be replaced (where available) without charge. Any product which has been subject to misuse or accidental damage is excluded from this warranty.

This warranty is only applicable to a product purchased through The Source company-owned stores or participating dealers in Canada where the warranty is included with the product. While this warranty does not confer any legal rights other than those set out above, you may have additional statutory rights which will vary under the laws of the various countries, states, provinces and other governmental entities in which The Source operates. This warranty is subject to all statutory rights you may have in Canada.

Imported by:
The Source,
Barrie, Ontario, Canada, L4M 4W5

Manufactured in China

For product support please visit
www.headrushaudio.com

© 2016 The Source
All rights reserved.



Please Recycle